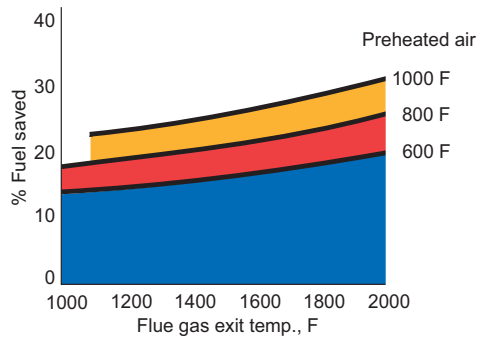


## Radiant Tube Applications:

- Heat Treating
- Aluminum Heating
- U-Tube or W-Tube

Energy is saved by retrieving heat from furnace flue gases and using it to preheat combustion air. Fuel that was formerly used to heat the combustion air is no longer needed; heat that was formerly thrown away (up the stack) is conserved. Your fuel bill is reduced as a result.



### Construction

Recuperators may look alike, but aren't built alike. Details in construction make the Series 8484 Recuperators capable of handling furnace exhaust gases up to 2000 F. There are no flexing metal seals that lead to early failure. Instead, unique packing gland seals (at the cool end) allow thermal expansion and contraction without stress. Efficient counterflow design delivers cool air at the packing area.

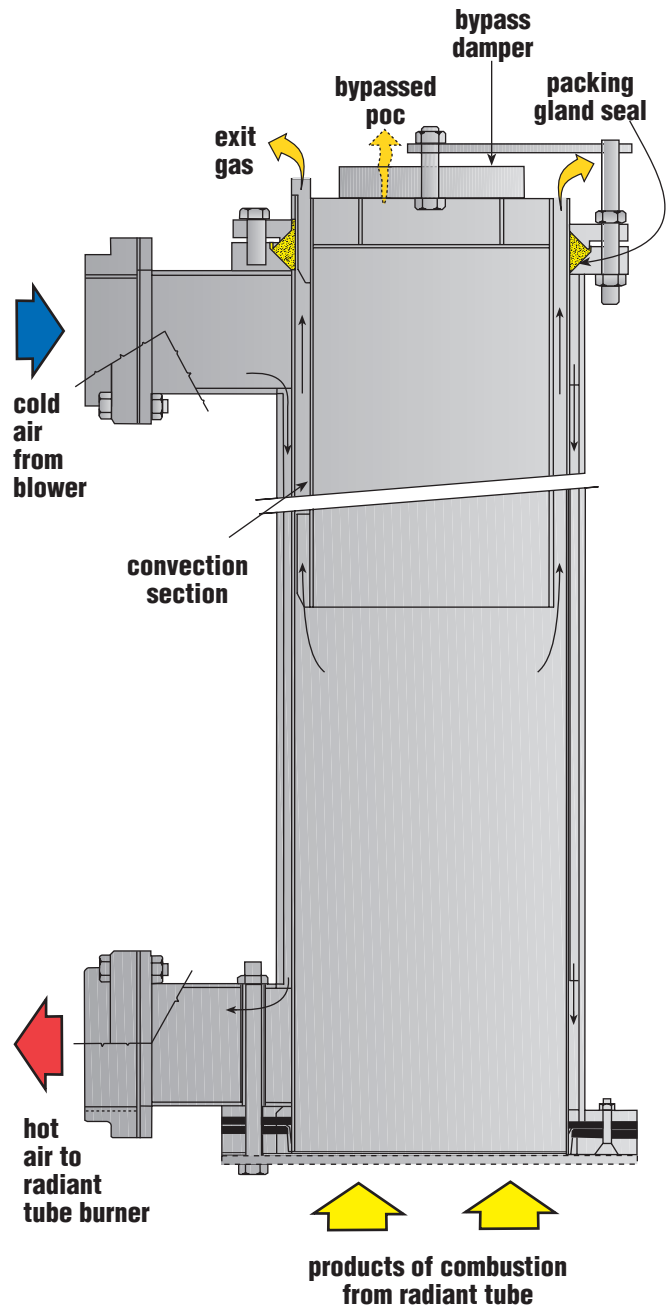
A bypass damper serves as a shield to prevent radiation loss and for field adjustment of maximum preheat temperature. It also serves as an automatic pressure relief for excessive internal tube pressure. These protective construction features give North American recuperators long life -- to continue paying dividends on your investment long after the ROI anniversary.

### Furnace Analysis

In preparing a proposal, we will make a complete analysis of your combustion system and furnace operation. Everything is studied to ensure all equipment is compatible and performance will be optimum.

North American's years of experience with burners and controls for preheated air provide the expertise to engineer the complete system.

**Up to 2000 F Flue Gas Entry  
Up to 1000 F Air Output**



**WARNING:** Situations dangerous to personnel and property may exist with the operation and maintenance of any combustion equipment. The presence of fuels, oxidants, hot and cold combustion products, hot surfaces, electrical power in control and ignition circuits, etc., are inherent with any combustion application. Parts of this product may exceed 160F in operation and present a contact hazard. Fives North American urges compliance with National Safety Standards and insurance Underwriters recommendations, and care in operation.

Fives North American Combustion, Inc., 4455 East 71st Street, Cleveland, OH 44105 USA, Phone 216.271.6000  
Fax 216.641.7852 email: [fna.sales@fivesgroup.com](mailto:fna.sales@fivesgroup.com) • [www.fivesgroup.com/fivesna](http://www.fivesgroup.com/fivesna)