

2942 Filter-Silencers generally reduce inrush noise by half and remove 99% of dirt from inlet air to a blower.

Two types of filter elements are available:

An oil-wetted metal screen that can be cleaned and reused indefinitely (add suffix W).

A paper element that normally can be reused 3-6 times, then is thrown away and replaced (add suffix T).

Assemblies allow field conversion from screen to paper style, or vice versa.

Where excessive dirt pickup could result from operating a blower without its filter even for a short time, keep a spare element on hand.

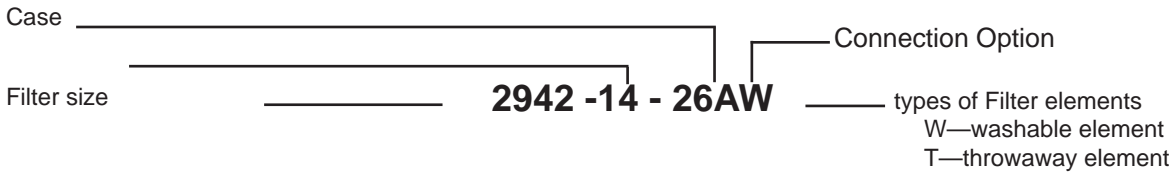
To minimize pressure drop, filter element should be inspected periodically and thoroughly cleaned or replaced when dirty.

See Bulletin 2923 for further information on filters, including important operation and maintenance instructions. Bulletin 2936 describes in detail sound pressure attenuation achieved by silencers.

Larger sizes are combinations of standard 2923 Filters and modified 2936 Silencers. The 3" and 4" threaded connections are one-piece designs.

When ordering a complete filter add a suffix: W for the oil-wetted metal screen filter, or T for the paper throwaway model.

Explanation of Filter-Silencer designations:



To Order a Filter-Silencer, specify: (Complete designation) Filter-Silencer for (specify Blower designation).

Examples: 2942-22.5-FW Filter-Silencer for 2408-F-15 Blower
 2942-30-33AT Filter-Silencer for 2316-33/1-30 Blower

NOTE: Filter elements are not oiled as shipped.

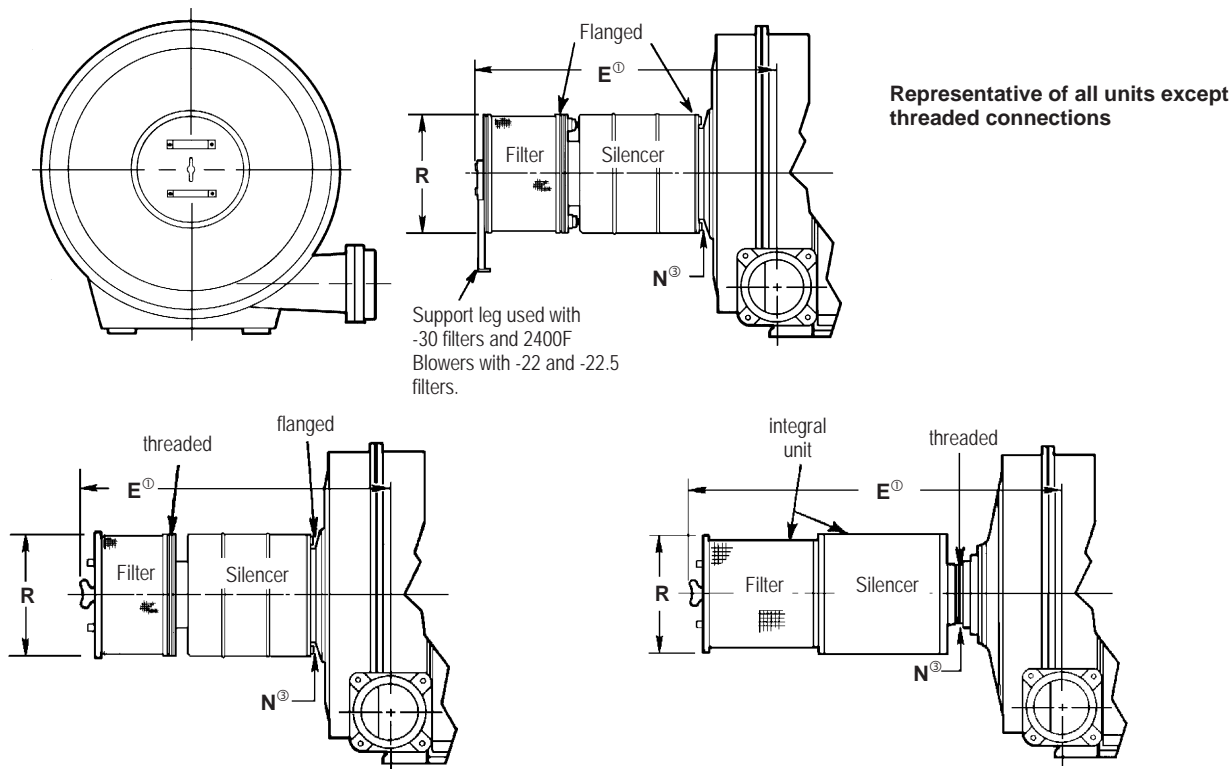
| Blower designation | Filter-Silencer designation | dimensions in inches | | | Approximate weight in lb ^② |
|------------------------|-----------------------------|--------------------------------|----------------|--------------------------------|---------------------------------------|
| | | E ^① | N ^③ | R | |
| 2304-11/1-__3 | 2942-8-11A | 20 ³ / ₈ | 3 | 8 ³ / ₈ | 30 |
| 2304-44/1-__10 | 2942-30-44A | 76 | 16 | 30 ⁵ / ₈ | 360 |
| 2308-11/3-__3 | 2942-8-11A | 22 ¹ / ₂ | 3 | 8 ⁵ / ₈ | 30 |
| 2308-14/1-__5, .75, 1 | 2942-8-14A | 22 ¹ / ₂ | 3 | 8 ⁵ / ₈ | 30 |
| 2308-17/1-__1 | 2942-8-17A | 23 ¹ / ₈ | 3 | 8 ⁵ / ₈ | 30 |
| 2308-17/1-__1.5 | 2942-10-17A | 27 ¹ / ₈ | 4 | 10 ⁵ / ₈ | 40 |
| 2308-24/1-__2 | 2942-10-24A | 34 ¹ / ₈ | 6 | 10 ⁵ / ₈ | 45 |
| 2308-24/1-__3 | 2942-12-24A | 36 ¹ / ₈ | 6 | 12 ⁵ / ₈ | 80 |
| 2308-31/1-__5, 7.5 | 2942-18-31A | 42 ³ / ₈ | 8 | 18 ⁵ / ₈ | 130 |
| 2308-21/1-__10 | 2942-22-21A | 51 | 10 | 22 ⁵ / ₈ | 180 |
| 2308-44/1-__10, 15 | 2942-30-44A | 76 | 16 | 30 ⁵ / ₈ | 360 |
| 2408-D-__5D, 7.5D | 2942-18-D | 48 | 10 | 18 ⁵ / ₈ | 135 |
| 2408-F-__10D | 2942-22-F | 55 | 12 | 22 ⁵ / ₈ | 245 |
| 2408-F-__15D, 20D | 2942-22.5-F | 61 | 12 | 22 ⁵ / ₈ | 285 |
| 2310-11/4-__5 | 2942-8-11A | 23 ³ / ₄ | 3 | 8 ⁵ / ₈ | 30 |
| 2310-19/1-__7.5, 1 | 2942-8-19A | 22 | 3 | 8 ⁵ / ₈ | 30 |
| 2310-19/1-__1.5 | 2942-8-19B | 22 ¹ / ₂ | 4 | 8 ⁵ / ₈ | 35 |
| 2310-19/1-__2 | 2942-10-19A | 26 | 4 | 10 ⁵ / ₈ | 40 |
| 2310-26/1-__3 | 2942-10-26A | 34 ¹ / ₈ | 6 | 10 ⁵ / ₈ | 45 |
| 2310-26/1-__5 | 2942-12-26A | 36 ¹ / ₈ | 6 | 12 ⁵ / ₈ | 80 |
| 2310-35/1-__7.5 | 2942-18-35A | 41 ³ / ₄ | 8 | 18 ⁵ / ₈ | 130 |
| 2310-21/1-__10 | 2942-22-21A | 51 | 10 | 22 ⁵ / ₈ | 180 |
| 2312-19/1-__1 | 2942-8-19A | 22 | 3 | 8 ⁵ / ₈ | 30 |
| 2312-19/1-__1.5, 2 | 2942-8-19B | 22 ¹ / ₂ | 4 | 8 ⁵ / ₈ | 35 |
| 2312-26/1-__3 | 2942-10-26A | 34 ¹ / ₈ | 6 | 10 ⁵ / ₈ | 45 |
| 2312-26/1-__5 | 2942-14-26A | 38 ³ / ₈ | 6 | 14 ⁵ / ₈ | 90 |
| 2312-35/1-__7.5, 10 | 2942-18-35A | 41 ³ / ₄ | 8 | 18 ⁵ / ₈ | 130 |
| 2312-21/1-__15 | 2942-22-21B | 56 ¹ / ₄ | 14 | 22 ⁵ / ₈ | 220 |
| 2312-41/1-__20, 25 | 2942-30-41A | 76 ³ / ₄ | 16 | 30 ⁵ / ₈ | 360 |
| 2412-D-__7.5D, 10D | 2942-18-D | 48 | 10 | 18 ⁵ / ₈ | 185 |
| 2412-F-__10D | 2942-18-F | 51 | 12 | 18 ⁵ / ₈ | 200 |
| 2412-F-__15D | 2942-22-F | 55 | 12 | 22 ⁵ / ₈ | 245 |
| 2412-F-__20D | 2942-22.5-F | 61 | 12 | 22 ⁵ / ₈ | 285 |
| 2316-14/2-__1, 1.5 | 2942-8-14A | 24 ³ / ₈ | 3 | 8 ⁵ / ₈ | 30 |
| 2316-17/2-__1.5, 2 | 2942-8-17B | 25 | 4 | 8 ⁵ / ₈ | 35 |
| 2316-19/1-__2 | 2942-8-19B | 25 | 4 | 8 ⁵ / ₈ | 35 |
| 2316-19/1-__3 | 2942-10-19A | 27 ⁵ / ₈ | 4 | 10 ⁵ / ₈ | 40 |
| 2316-26/1-__3 | 2942-8-26A | 31 ¹ / ₂ | 6 | 8 ⁵ / ₈ | 35 |
| 2316-17/2-__3 | 2942-10-17A | 29 | 4 | 10 ⁵ / ₈ | 40 |
| 2316-24/2-__3, 5 | 2942-10-24A | 37 ⁵ / ₈ | 6 | 10 ⁵ / ₈ | 45 |
| 2316-26/1-__5 | 2942-12-26A | 36 ¹ / ₈ | 6 | 12 ⁵ / ₈ | 80 |
| 2316-28/1-__5, 7.5 | 2942-14-28A | 39 ¹ / ₈ | 8 | 14 ⁵ / ₈ | 90 |
| 2316-26/1-__7.5 | 2942-14-26A | 38 ³ / ₈ | 6 | 14 ⁵ / ₈ | 90 |
| 2316-31/2-__7.5 | 2942-14-31A | 43 | 8 | 14 ⁵ / ₈ | 90 |
| 2316-31/2-__10 | 2942-18-31A | 47 | 8 | 18 ⁵ / ₈ | 130 |
| 2316-35/1-__10, 15 | 2942-18-35B | 43 ³ / ₈ | 8 | 18 ⁵ / ₈ | 130 |
| 2316-21/1-__15, 20 | 2942-22-21A | 51 | 10 | 22 ⁵ / ₈ | 180 |
| 2316-33/1-__25 | 2942-22.5-33A | 60 ¹ / ₄ | 12 | 22 ⁵ / ₈ | 235 |
| 2316-33/1-__30 | 2942-30-33A | 62 ¹ / ₄ | 12 | 30 ⁵ / ₈ | 315 |
| 2316-41/1-__20, 25, 30 | 2942-30-41A | 76 ³ / ₄ | 16 | 30 ⁵ / ₈ | 360 |

| Blower designation | Filter-Silencer designation | dimensions in inches | | | Approximate weight in lb ^② |
|-------------------------|-----------------------------|--------------------------------|----------------|--------------------------------|---------------------------------------|
| | | E ^① | N ^③ | R | |
| 2416-D-__7.5D, 10D | 2942-18-D | 48 | 10 | 18 ⁵ / ₈ | 185 |
| 2416-F-__15D, 20D | 2942-22-F | 55 | 12 | 22 ⁵ / ₈ | 245 |
| 2416-F-__25D, 30D | 2942-22.5-F | 61 | 12 | 22 ⁵ / ₈ | 285 |
| 2320-19/2-__1.5 | 2942-8-19A | 26 | 3 | 8 ⁵ / ₈ | 30 |
| 2320-19/2-__2, 3 | 2942-8-19B | 26 ⁵ / ₈ | 4 | 8 ⁵ / ₈ | 35 |
| 2320-26/2-__5 | 2942-10-26A | 37 ¹ / ₈ | 6 | 10 ⁵ / ₈ | 45 |
| 2320-26/2-__7.5 | 2942-12-26A | 39 ¹ / ₈ | 6 | 12 ⁵ / ₈ | 80 |
| 2320-35/1-__10 | 2942-14-35B | 39 ¹ / ₄ | 8 | 14 ⁵ / ₈ | 90 |
| 2320-35/2-__10 | 2942-14-35A | 42 ¹ / ₂ | 8 | 14 ⁵ / ₈ | 90 |
| 2320-35/2-__15 | 2942-18-35A | 46 ⁵ / ₈ | 8 | 18 ⁵ / ₈ | 130 |
| 2320-35/1-__15 | 2942-18-35B | 43 ³ / ₈ | 8 | 18 ⁵ / ₈ | 130 |
| 2320-21/1-__15 | 2942-18-21A | 47 | 10 | 18 ⁵ / ₈ | 135 |
| 2320-21/1-__20 | 2942-22-21A | 51 | 10 | 22 ⁵ / ₈ | 180 |
| 2320-33/1-__25, 30 | 2942-22.5-33A | 60 | 12 | 22 ⁵ / ₈ | 235 |
| 2320-33/1-__40 | 2942-30-33A | 62 | 12 | 30 ⁵ / ₈ | 315 |
| 2320-41/1-__25, 30, 40 | 2942-30-41A | 76 ³ / ₄ | 16 | 30 ⁵ / ₈ | 360 |
| 2420-F-__15D | 2942-18-F | 51 | 12 | 18 ⁵ / ₈ | 200 |
| 2420-F-__20D, 25D | 2942-22-F | 55 | 12 | 22 ⁵ / ₈ | 245 |
| 2420-F-__30D | 2942-22.5-F | 61 | 12 | 22 ⁵ / ₈ | 285 |
| 2324-14/3-__1.5, 2 | 2942-8-14A | 27 ¹ / ₂ | 3 | 8 ⁵ / ₈ | 30 |
| 2324-19/2-__3 | 2942-8-19B | 26 ⁵ / ₈ | 4 | 8 ⁵ / ₈ | 35 |
| 2324-26/2-__5 | 2942-10-26A | 37 ¹ / ₈ | 6 | 10 ⁵ / ₈ | 45 |
| 2324-26/2-__7.5 | 2942-12-26A | 39 ¹ / ₈ | 6 | 12 ⁵ / ₈ | 80 |
| 2324-35/2-__10 | 2942-14-35A | 42 ¹ / ₂ | 8 | 14 ⁵ / ₈ | 90 |
| 2324-35/2-__15 | 2942-18-35A | 46 ⁵ / ₈ | 8 | 18 ⁵ / ₈ | 130 |
| 2324-21/1-__20 | 2942-18-21A | 46 ⁵ / ₈ | 10 | 18 ⁵ / ₈ | 135 |
| 2324-33/1-__25, 30 | 2942-22-33A | 54 | 12 | 22 ⁵ / ₈ | 195 |
| 2324-41/1-__30, 40 | 2942-30-41A | 76 ³ / ₄ | 16 | 30 ⁵ / ₈ | 360 |
| 2324-33/1-__40 | 2942-30-33A | 62 | 12 | 30 ⁵ / ₈ | 315 |
| 2324-41/1-__50 | 2942-30-41A | 76 ³ / ₄ | 16 | 30 ⁵ / ₈ | 360 |
| 2424-F-__20D | 2942-18-F | 51 | 12 | 18 ⁵ / ₈ | 200 |
| 2424-F-__25D, 30D | 2942-22-F | 55 | 12 | 22 ⁵ / ₈ | 245 |
| 2332-19/3-__3, 5 | 2942-8-19B | 29 ⁷ / ₈ | 4 | 8 ⁵ / ₈ | 35 |
| 2332-28/2-__7.5, 10, 15 | 2942-14-28A | 44 | 8 | 14 ⁵ / ₈ | 90 |
| 2332-21/2-__20, 25, 30 | 2942-18-21A | 52 | 10 | 18 ⁵ / ₈ | 135 |
| 2332-21/2-__40 | 2942-22-21A | 56 | 10 | 22 ⁵ / ₈ | 180 |
| 2332-33/2-__50 | 2942-22.5-33A | 66 ¹ / ₄ | 12 | 22 ⁵ / ₈ | 235 |
| 2332-33/2-__60 | 2942-30-33A | 68 ¹ / ₄ | 12 | 30 ⁵ / ₈ | 315 |
| 2332-41/2-__75 | 2942-30-41A | 88 | 16 | 30 ⁵ / ₈ | 360 |
| 2338-41/2-__75 | 2942-30-41A | 88 | 16 | 30 ⁵ / ₈ | 360 |
| 2344-28/3-__15, 20 | 2942-14-28A | 49 ¹ / ₂ | 8 | 14 ⁵ / ₈ | 90 |
| 2344-21/2-__30, 40 | 2942-18-21A | 53 ³ / ₈ | 10 | 18 ⁵ / ₈ | 135 |
| 2344-21/2-__50 | 2942-22-21A | 57 ³ / ₈ | 10 | 22 ⁵ / ₈ | 180 |

① When installing blower, allow sufficient space beyond filter for removal for cleaning.

② Approximate weight includes filter-silencer, W type, and flange.

③ N dimension on 3" and 4" adapters indicates nominal threaded pipe size. 6" and larger adapters have a flanged connection.



screen element



base with stem



assembled filter

| Filter size | Element designation for/W | Wt, lb | Element designation for/T | Wt, lb | Capacity cfm | element dimensions (inches) | | |
|-------------|---------------------------|------------------|---------------------------|------------------|--------------|-----------------------------|--------------------|------------------|
| | | | | | | OD | ID | height |
| 8 | R260-2160 | 4 $\frac{1}{2}$ | R260-2900 | 2 $\frac{3}{4}$ | 400 | 8 $\frac{1}{8}$ | 4 $\frac{15}{16}$ | 8 $\frac{1}{8}$ |
| 10 | R260-2240 | 7 $\frac{3}{4}$ | R260-2910 | 4 $\frac{1}{2}$ | 700 | 10 $\frac{1}{8}$ | 6 $\frac{15}{16}$ | 10 $\frac{1}{8}$ |
| 12 | R260-2300 | 10 | R260-2920 | 6 | 1000 | 12 $\frac{1}{8}$ | 8 $\frac{13}{16}$ | 12 $\frac{1}{8}$ |
| 14 | R260-2360 | 17 $\frac{1}{2}$ | R260-2930 | 9 $\frac{3}{4}$ | 1350 | 14 $\frac{1}{8}$ | 8 $\frac{13}{16}$ | 14 $\frac{1}{8}$ |
| 18 | R260-2420 | 28 | R260-2940 | 14 $\frac{1}{2}$ | 2250 | 18 $\frac{1}{8}$ | 12 $\frac{15}{16}$ | 18 $\frac{1}{8}$ |
| 22 | R260-2500 | 39 $\frac{1}{2}$ | R260-2950 | 23 | 3250 | 22 $\frac{1}{8}$ | 16 $\frac{15}{16}$ | 22 $\frac{1}{8}$ |
| 22.5 | R260-2580 | 48 $\frac{1}{2}$ | R260-2960 | 28 | 4000 | 22 $\frac{1}{8}$ | 16 $\frac{15}{16}$ | 28 $\frac{1}{8}$ |
| 30 | R260-2640 | 62 | R260-2970 | 47 | 6000 | 30 $\frac{1}{8}$ | 25 $\frac{3}{4}$ | 30 $\frac{1}{8}$ |

① When installing blower, allow sufficient space beyond filter for removal for cleaning.

③ N dimension on 3" and 4" adapters indicates nominal threaded pipe size. 6" and larger adapters have a flanged connection.

DIMENSIONS SHOWN ARE SUBJECT TO CHANGE. PLEASE OBTAIN CERTIFIED PRINTS FROM FIVES NORTH AMERICAN COMBUSTION, INC. IF SPACE LIMITATIONS OR OTHER CONSIDERATIONS MAKE EXACT DIMENSION(S) CRITICAL.

WARNING: Situations dangerous to personnel and property may exist with the operation and maintenance of any combustion equipment. The presence of fuels, oxidants, hot and cold combustion products, hot surfaces, electrical power in control and ignition circuits, etc., are inherent with any combustion application. Parts of this product may exceed 160F in operation and present a contact hazard. Fives North American Combustion, Inc. urges compliance with National Safety Standards and insurance Underwriters recommendations, and care in operation.