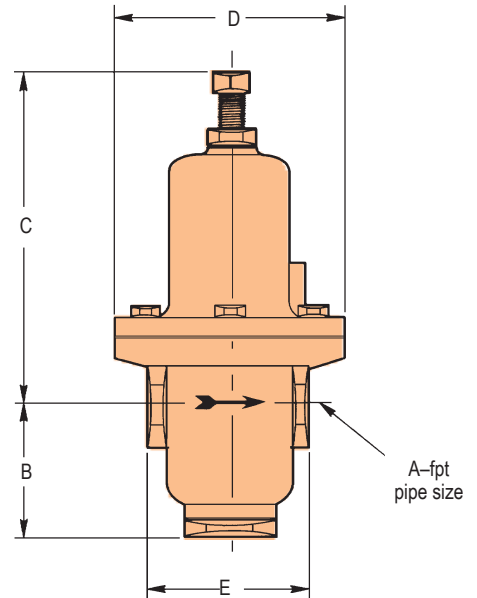


OIL PRESSURE REGULATORS

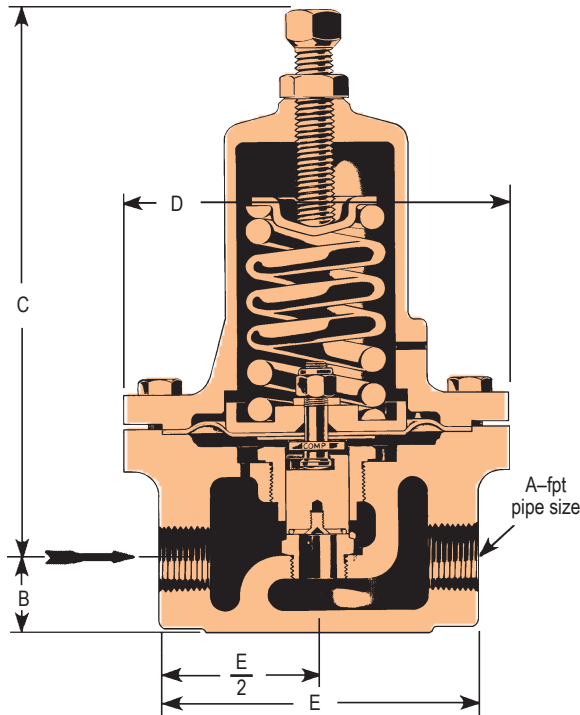
Designation	dimensions in inches				
	A	B	C	D	E
7142/7152-01	1/2	1 13/16	6	4 1/4	3 7/8
7142/7152-0	3/4	2 1/4	9	6 1/16	4 7/8
7142/7152-1	1	2 1/4	9	6 1/16	4 7/8

Approximate Weights

Designation	lb
7142-01	8
7142-0, -1	18
7152-01	10
7152-0, -1	20



DIAPHRAGM RELIEF VALVES



Designation	dimensions in inches					Wt, lb
	A	B	C	D	E	
7177-03	1/4	1	5 1/2	3 3/16	3 3/16	10
7177-01	1/2	7/8	7 3/16	4 1/4	4 1/4	10
7177-1	1	1 1/4	9 1/16	6 1/16	5	20

Standard Springs
Regulators and Relief Valves

1/2" uses green spring #1D7455 27142
 25-75 psig range
 R690-6810

3/4" and 1" use green spring #1E3990 27142
 25-75 psig range
 R690-6815

Relief Valve

1/4" uses green spring #1E3926 27012
 35-75 psig range
 R690-6807

Optional Springs
Regulators and Relief Valves

1/2" can use red spring #1E3957 27192
 70-150 psig range
 R690-6800

3/4" and 1" can use red spring #1E3991 27162
 70-150 psig range
 R690-6805

When ordering add 3rd term: -75 for st'd spring or -150 for optional spring at additional cost.

DIMENSIONS SHOWN ARE SUBJECT TO CHANGE. PLEASE OBTAIN CERTIFIED PRINTS FROM FIVES NORTH AMERICAN COMBUSTION, INC. IF SPACE LIMITATIONS OR OTHER CONSIDERATIONS MAKE EXACT DIMENSION(S) CRITICAL.

Fives North American Combustion, Inc. - 4455 East 71st Street - Cleveland, OH 44105 USA - Phone 216.271.6000
 Fax 216.641.7852 - email: fna.sales@fivesgroup.com - www.fivesgroup.com/fivesna