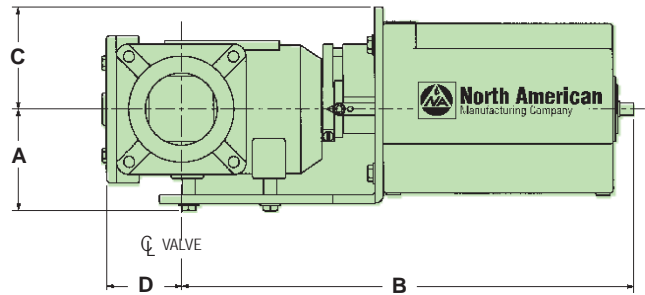
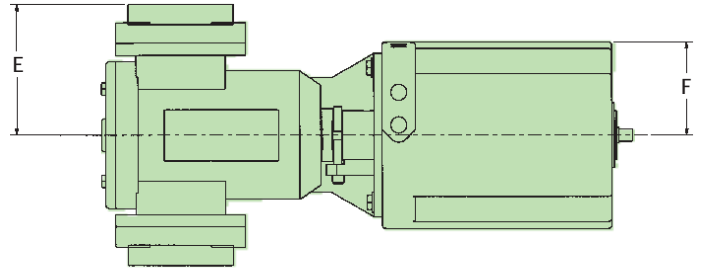


**1199- -04 Air Adjustable Port Valve**

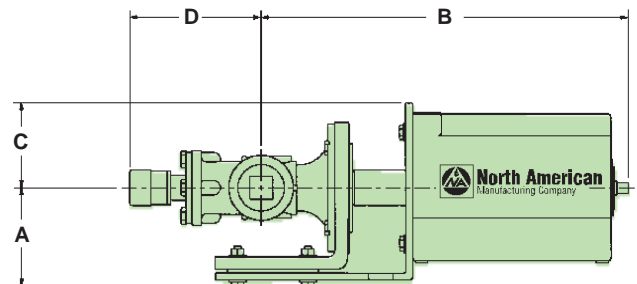
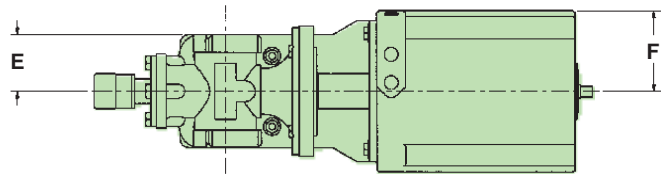
**DIMENSIONS**  
inches

Valve designation	dimensions in inches					
	A	B	C	D	E	F
1199-3B-04, -4B-04	$3\frac{1}{4}$	13	3	$1\frac{15}{16}$	$3\frac{5}{16}$	$2\frac{19}{32}$
1199-4C-04, -5C-04	$3\frac{1}{8}$	$14\frac{1}{8}$	$3\frac{1}{4}$	$2\frac{5}{16}$	$3\frac{7}{8}$	$2\frac{19}{32}$
1199-6C-04	$3\frac{1}{8}$	$14\frac{1}{8}$	$3\frac{1}{4}$	$2\frac{5}{16}$	$4\frac{5}{16}$	$2\frac{19}{32}$
1199-6D-04, -7D-04	$3\frac{13}{32}$	$15\frac{1}{2}$	3	$3\frac{1}{16}$	$5\frac{1}{4}$	$2\frac{19}{32}$
1199-8D-04	$3\frac{13}{32}$	$15\frac{1}{2}$	3	$3\frac{1}{16}$	$9\frac{1}{16}$	$2\frac{19}{32}$



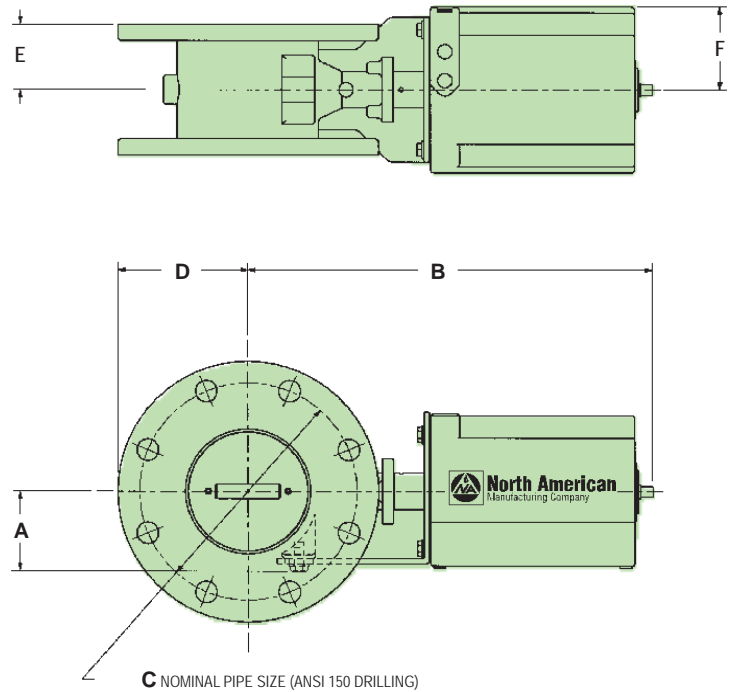
**1199- -08 Gas Adjustable Port Valve**

Valve designation	dimensions in inches					
	A	B	C	D	E	F
1199-02-08	$3\frac{9}{16}$	$12\frac{5}{32}$	3	$4\frac{17}{32}$	$1\frac{3}{4}$	$2\frac{19}{32}$
1199-01-08	$3\frac{9}{16}$	$12\frac{5}{32}$	3	$4\frac{17}{32}$	$1\frac{3}{4}$	$2\frac{19}{32}$
1199-0-08	$3\frac{9}{16}$	$12\frac{5}{32}$	3	$4\frac{9}{32}$	$1\frac{5}{8}$	$2\frac{19}{32}$
1199-1-08	$3\frac{9}{16}$	$12\frac{5}{32}$	3	$4\frac{1}{2}$	$1\frac{3}{4}$	$2\frac{19}{32}$
1199-2-08	$3\frac{9}{16}$	$13\frac{3}{16}$	3	$4\frac{25}{32}$	2	$2\frac{19}{32}$
1199-3-08	$5\frac{3}{8}$	$14\frac{3}{4}$	3	$5\frac{1}{32}$	$2\frac{1}{8}$	$2\frac{19}{32}$
1199-4-08	$5\frac{3}{8}$	$14\frac{3}{4}$	3	$5\frac{17}{32}$	$2\frac{1}{16}$	$2\frac{19}{32}$
1199-5-08	$5\frac{3}{8}$	$15\frac{13}{16}$	3	$6\frac{5}{32}$	$2\frac{13}{16}$	$2\frac{19}{32}$
1199-6-08	$5\frac{3}{8}$	$15\frac{13}{16}$	3	$7\frac{5}{32}$	$3\frac{5}{16}$	$2\frac{19}{32}$
1199-7-08	$5\frac{3}{8}$	$15\frac{13}{16}$	3	$8\frac{1}{4}$	$3\frac{3}{4}$	$2\frac{19}{32}$
1199-8-08	$5\frac{3}{8}$	$16\frac{9}{16}$	3	$10\frac{13}{16}$	$4\frac{7}{8}$	$2\frac{19}{32}$



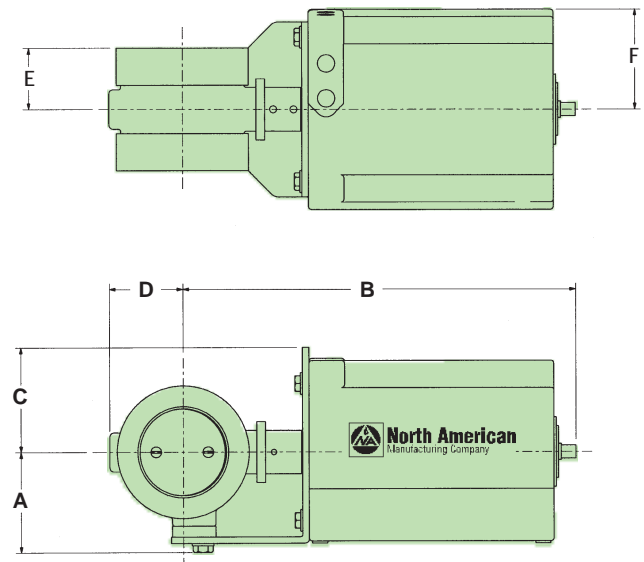
## 1199- -26 Flanged Butterfly Valve

Valve designation	dimensions in inches					
	A	B	C	D	E	F
1199-6-26F	$3\frac{5}{16}$	$13\frac{5}{16}$	3	$3\frac{3}{4}$	2	$2\frac{19}{32}$
1199-7-26F	$2\frac{7}{8}$	14	4	$4\frac{1}{2}$	$2\frac{1}{4}$	$2\frac{19}{32}$
1199-8-26F	$3\frac{7}{8}$	$15\frac{1}{16}$	6	$5\frac{1}{2}$	$2\frac{1}{2}$	$2\frac{19}{32}$
1199-9-26	$5\frac{11}{16}$	$16\frac{1}{2}$	8	$6\frac{3}{4}$	$2\frac{3}{4}$	$2\frac{19}{32}$
1199-10-26	$6\frac{13}{16}$	$17\frac{3}{4}$	10	8	$3\frac{3}{4}$	$2\frac{19}{32}$
1199-12-26	$8\frac{1}{8}$	$19\frac{1}{4}$	12	$9\frac{1}{2}$	4	$2\frac{19}{32}$
1199-14-26	$9\frac{1}{8}$	$20\frac{1}{4}$	14	$10\frac{1}{2}$	4	$2\frac{19}{32}$
1199-16-26	$10\frac{1}{2}$	$21\frac{1}{2}$	16	$11\frac{3}{4}$	$4\frac{1}{4}$	$2\frac{19}{32}$



## 1199- -26 Butterfly Valve

Valve designation	dimensions in inches					
	A	B	C	D	E	F
1199-0-26	3	$10\frac{1}{16}$	3	$1\frac{3}{16}$	$1\frac{3}{16}$	$2\frac{19}{32}$
1199-1-26	3	$10\frac{1}{16}$	3	$1\frac{3}{16}$	$1\frac{3}{16}$	$2\frac{19}{32}$
1199-2-26	3	$10\frac{1}{8}$	3	$1\frac{5}{16}$	$1\frac{1}{4}$	$2\frac{19}{32}$
1199-3-26	3	$10\frac{1}{4}$	3	$1\frac{7}{16}$	$1\frac{5}{16}$	$2\frac{19}{32}$
1199-4-26	3	$10\frac{1}{2}$	3	$1\frac{3}{4}$	$1\frac{1}{2}$	$2\frac{19}{32}$
1199-5-26	3	$10\frac{7}{8}$	3	$2\frac{1}{8}$	$1\frac{3}{4}$	$2\frac{19}{32}$
1199-6-26	$4\frac{5}{8}$	$11\frac{1}{2}$	3	$2\frac{7}{16}$	$1\frac{15}{16}$	$2\frac{19}{32}$
1199-7-26	$4\frac{5}{8}$	$12\frac{1}{16}$	3	3	$2\frac{1}{4}$	$2\frac{19}{32}$
1199-8-26	$4\frac{5}{8}$	$13\frac{3}{16}$	3	$4\frac{1}{8}$	$2\frac{9}{16}$	$2\frac{19}{32}$



DIMENSIONS SHOWN ARE SUBJECT TO CHANGE. PLEASE OBTAIN CERTIFIED PRINTS FROM FIVES NORTH AMERICAN COMBUSTION, INC.  
IF SPACE LIMITATIONS OR OTHER CONSIDERATIONS MAKE EXACT DIMENSION(S) CRITICAL.

**WARNING:** Situations dangerous to personnel and property may exist with the operation and maintenance of an combustion equipment. The presence of fuels, oxidants, hot and cold combustion products, hot surfaces, electrical power in control and ignition circuits, etc., are inherent with any combustion application. Parts of this product may exceed 160F in operation and present a contact hazard. Fives North American urges compliance with National Safety Standards and insurance Underwriters recommendations, and care in operation.

Fives North American Combustion, Inc., 4455 East 71st Street, Cleveland, OH 44105 USA, Phone 216.271.6000

Fax 216.641.7852 email: [fna.sales@fivesgroup.com](mailto:fna.sales@fivesgroup.com) • [www.fivesgroup.com/fivesna](http://www.fivesgroup.com/fivesna)