

**1518
MANUAL
RESET**

Fig. 1

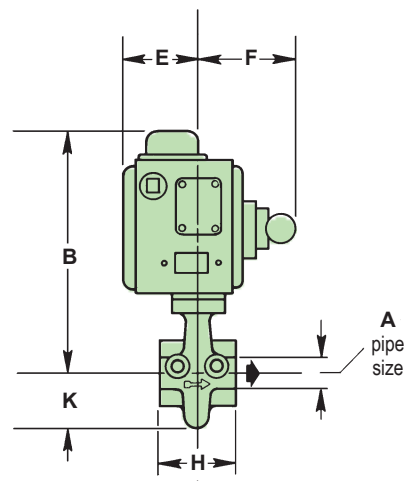
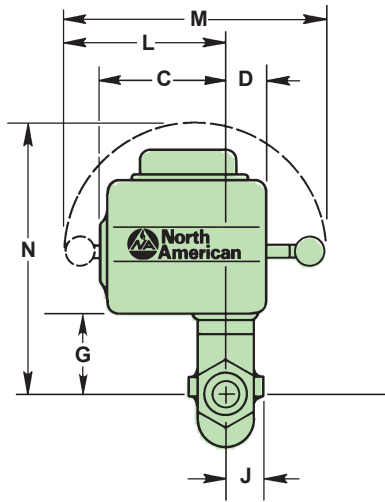
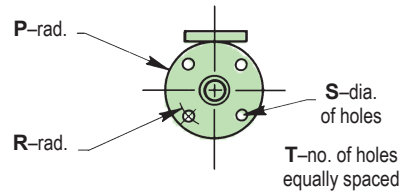


Fig. 1A



All valve positions are as shown when shipped as a separate item.
 Orientation may be different when part of packaged fuel train.

Valve designation	Fig. no.	dimensions in inches												
		A	B	C	D	E	F	G	H	J	K	L	M	N
1518-0	1	3/4	11 ³ / ₁₆	5 ⁷ / ₁₆	1 ⁷ / ₈	3 ¹ / ₂	4 ¹ / ₂	3 ¹ / ₈	3 ¹³ / ₁₆	1 ³ / ₁₆	2	7 ¹ / ₈	11 ¹ / ₂	11 ¹⁹ / ₃₂
1518-1-(S)	1	1	11 ³ / ₁₆	5 ⁷ / ₁₆	1 ⁷ / ₈	3 ¹ / ₂	4 ¹ / ₂	3 ¹ / ₈	3 ¹³ / ₁₆	1 ³ / ₁₆	2	7 ¹ / ₈	11 ¹ / ₂	11 ¹⁹ / ₃₂
1518-2	1	1 ¹ / ₄	11 ³ / ₄	5 ⁷ / ₁₆	1 ⁷ / ₈	3 ¹ / ₂	4 ¹ / ₂	3 ¹¹ / ₁₆	4	1 ⁹ / ₁₆	2 ⁷ / ₁₆	7 ¹ / ₈	11 ¹ / ₂	12 ¹ / ₈
1518-3-(S)	1	1 ¹ / ₂	12 ⁷ / ₃₂	5 ⁷ / ₁₆	1 ⁷ / ₈	3 ¹ / ₂	4 ¹ / ₂	4 ¹ / ₈	4	1 ¹³ / ₁₆	2 ¹¹ / ₁₆	7 ¹ / ₈	11 ¹ / ₂	12 ¹⁹ / ₃₂
1518-4-(S)	1	2	13 ¹¹ / ₁₆	7 ¹⁹ / ₃₂	2 ³ / ₈	3 ¹ / ₂	5 ⁵ / ₈	4 ¹¹ / ₁₆	4 ³ / ₈	1 ⁷ / ₈	3 ³ / ₄	8 ⁹ / ₁₆	13 ¹ / ₈	14 ³ / ₈
1518-5	1	2 ¹ / ₂	13 ⁹ / ₁₆	7 ¹⁹ / ₃₂	2 ³ / ₈	3 ¹ / ₂	5 ¹ / ₂	4 ⁵ / ₈	5	2 ¹ / ₄	3 ¹ / ₂	8 ⁹ / ₁₆	13 ¹ / ₈	14 ¹ / ₄
1518-5-F	1A	2 ¹ / ₂	13 ⁹ / ₁₆	7 ¹⁹ / ₃₂	2 ³ / ₈	3 ¹ / ₂	5 ¹ / ₂	4 ⁵ / ₈	7 ¹ / ₂	2	3 ¹ / ₂	8 ⁹ / ₁₆	13 ¹ / ₈	14 ¹ / ₄
1518-5-E	1	2 ¹ / ₂	14 ⁹ / ₁₆	10 ⁵ / ₈	2 ²⁷ / ₃₂	4 ³ / ₁₆	5 ¹ / ₄	5 ¹³ / ₁₆	5	2 ¹ / ₄	4 ⁵ / ₁₆	10 ¹⁵ / ₁₆	15 ¹ / ₈	14 ⁹ / ₁₆
1518-5-EF(S)	1A	2 ¹ / ₂	14 ⁹ / ₁₆	10 ⁵ / ₈	2 ²⁷ / ₃₂	4 ³ / ₁₆	5 ³ / ₄	6 ⁹ / ₁₆	7 ¹ / ₂	2 ¹ / ₄	4 ¹ / ₂	10 ¹⁵ / ₁₆	15 ¹ / ₈	14 ⁹ / ₁₆
1518-6	1	3	13 ¹³ / ₁₆	7 ¹⁹ / ₃₂	2 ³ / ₈	3 ¹ / ₂	5 ⁵ / ₈	4 ¹³ / ₁₆	5 ³ / ₁₆	2 ⁹ / ₁₆	8 ⁹ / ₁₆	13 ¹ / ₈	14 ¹ / ₂	17 ³¹ / ₃₂
1518-6-E	1	3	15 ⁹ / ₃₂	10 ⁵ / ₈	2 ³ / ₈	4 ³ / ₁₆	5 ³ / ₄	6 ⁹ / ₁₆	5 ¹ / ₂	2 ⁹ / ₁₆	5 ¹ / ₈	10 ¹⁵ / ₁₆	15 ¹ / ₈	17 ³¹ / ₃₂
1518-6-EF(S)	1A	3	15 ⁹ / ₃₂	10 ⁵ / ₈	2 ²⁷ / ₃₂	4 ³ / ₁₆	5 ³ / ₄	6 ⁹ / ₁₆	8	2 ⁹ / ₁₆	5 ⁷ / ₃₂	10 ¹⁵ / ₁₆	15 ¹ / ₈	17 ³¹ / ₃₂
1518-7-EF(S)	1A	4	15 ⁹ / ₃₂	10 ⁵ / ₈	2 ²⁷ / ₃₂	4 ³ / ₁₆	5 ³ / ₄	6 ⁹ / ₁₆	9	2 ⁹ / ₁₆	5 ⁹ / ₁₆	10 ¹⁵ / ₁₆	15 ¹ / ₈	17 ³¹ / ₃₂
1518-8-F(S)	1A	6	20 ³ / ₄	10 ⁵ / ₈	2 ²⁷ / ₃₂	4 ³ / ₁₆	5 ¹ / ₄	10 ⁷ / ₈	10 ¹ / ₂	3 ¹ / ₄	7 ¹ / ₂	10 ¹⁵ / ₁₆	15 ¹ / ₈	23 ⁷ / ₁₆

Dimensions are identical for corresponding "U" (unlisted) series.

Valve designation	Fig. no.	dimensions in inches				wt, lb
		P	R	S	T	
1518-0	1	—	—	—	—	17
1518-1-(S)	1	—	—	—	—	17
1518-2	1	—	—	—	—	19
1518-3-(S)	1	—	—	—	—	20
1518-4-(S)	1	—	—	—	—	31
1518-5	1	—	—	—	—	45
1518-5-F	1A	3 ¹ / ₂	2 ³ / ₄	3 ¹ / ₄	(4)	70
1518-5-E	1	—	—	—	—	46
1518-5-EF(S)	1A	3 ¹ / ₂	2 ³ / ₄	3 ¹ / ₄	(4)	89
1518-6	1	—	—	—	—	45
1518-6-E	1	—	—	—	—	53
1518-6-EF(S)	1A	3 ³ / ₄	3	3 ¹ / ₄	(4)	95
1518-7-EF(S)	1A	4 ¹ / ₂	3 ³ / ₄	3 ¹ / ₄	(8)	123
1518-8-F(S)	1A	5 ¹ / ₂	4 ³ / ₄	7 ¹ / ₈	(8)	140

F = Standard Flanged
 (S) = Optional Steel Body
 S = Standard Steel Body
 E = Extra Capacity
 X = Rack & Pinion Operator

DIMENSIONS SHOWN ARE SUBJECT TO CHANGE. PLEASE OBTAIN CERTIFIED PRINTS FROM FIVES NORTH AMERICAN COMBUSTION, INC. IF SPACE LIMITATIONS OR OTHER CONSIDERATIONS MAKE EXACT DIMENSION(S) CRITICAL.

WARNING: Valve leak test should be performed on a quarterly basis to assure continued safe and reliable operation. Each valve should be checked with available line pressure. Absolute zero leakage may not be obtained in the field. Any valve that exceeds the allowable leakage, as set forth by your local codes or insurance requirements (15 bubbles per minute), should be removed from service and your North American representative should be contacted.

**1519
MOTORIZED**

Fig. 2

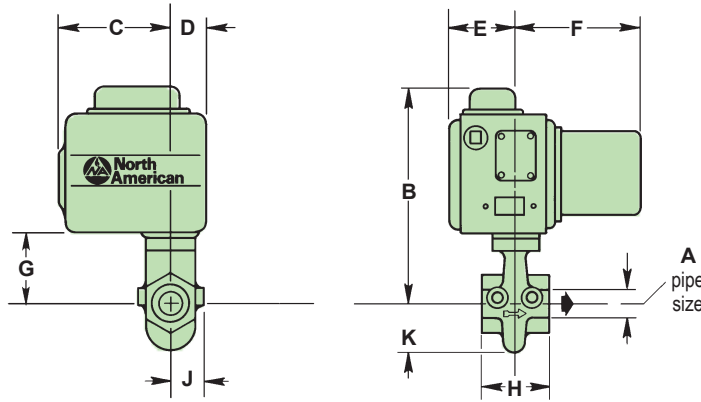
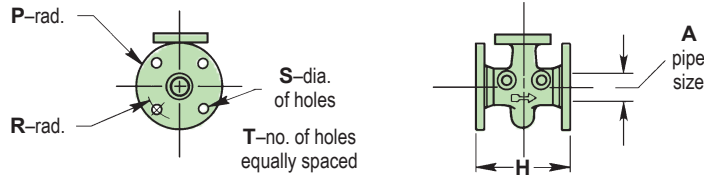


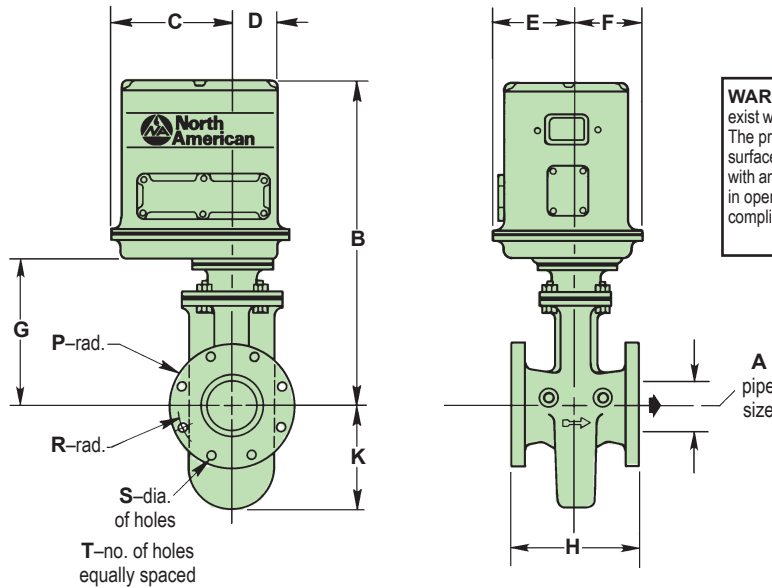
Fig. 2A



All valve positions are as shown when shipped as a separate item.

Orientation may be different when part of packaged fuel train.

Fig. 3



WARNING: Situations dangerous to personnel and property may exist with the operation and maintenance of any combustion equipment. The presence of fuels, oxidants, hot and cold combustion products, hot surfaces, electrical power in control and ignition circuits, etc., are inherent with any combustion application. Parts of this product may exceed 160F in operation and present a contact hazard. Fives North American urges compliance with National Safety Standards and insurance Underwriters recommendations, and care in operation.

Dimensions are identical for corresponding "U" (unlisted) series.

DIMENSIONS SHOWN ARE SUBJECT TO CHANGE. PLEASE OBTAIN CERTIFIED PRINTS FROM FIVES NORTH AMERICAN COMBUSTION, INC. IF SPACE LIMITATIONS OR OTHER CONSIDERATIONS MAKE EXACT DIMENSION(S) CRITICAL.

Valve designation	Fig. no.	dimensions in inches														wt, lb
		A	B	C	D	E	F	G	H	J	K	P	R	S	T	
1519-0	2	3/4	11 3/16	5 1/2	1 7/8	3 1/2	7 11/32	3 1/8	3 13/16	1 9/16	2	—	—	—	—	23
1519-1-(S)	2	1	11 3/16	5 1/2	1 7/8	3 1/2	7 11/32	3 1/8	3 13/16	1 9/16	2	—	—	—	—	23
1519-2	2	1 1/4	11 3/4	5 1/2	1 7/8	3 1/2	7 11/32	3 11/16	4	1 9/16	2 7/16	—	—	—	—	24
1519-3-(S)	2	1 1/2	12 7/32	5 1/2	1 7/8	3 1/2	7 11/32	4 1/8	4	1 9/16	2 11/16	—	—	—	—	25
1519-4-(S)	2	2	13 11/16	7 19/32	2 3/8	3 1/2	7 1/2	4 1/16	4 3/8	1 11/16	3 1/4	—	—	—	—	34
1519-5	2	2 1/2	13 9/16	7 19/32	2 3/8	3 1/2	7 1/2	4 5/8	5	2 1/4	3 1/2	—	—	—	—	37
1519-5-F	2A	2 1/2	13 9/16	7 19/32	2 3/8	3 1/2	7 1/2	4 5/8	7 1/2	2	3 1/2	3 1/2	2 3/4	3/4	(4)	75
1519-5-E	2	2 1/2	14 9/16	10 5/8	2 27/32	4 7/32	7 1/2	5 13/16	5	2 1/4	4 5/16	—	—	—	—	50
1519-5-EF(S)	2A	2 1/2	14 9/16	10 5/8	2 27/32	4 7/32	7 1/2	6 9/16	7 1/2	2 1/4	4 1/2	3 1/2	2 3/4	3/4	(4)	93
1519-6	2	3	13 11/16	7 19/32	2 27/32	3 1/2	7 1/2	4 13/16	5 3/16	2 9/16	2 5/16	—	—	—	—	42
1519-6-E	2	3	15 9/32	10 5/8	2 3/8	4 7/32	7 1/2	6 9/16	5 1/2	2 9/16	5 1/8	—	—	—	—	53
1519-6-EF(S)	2A	3	15 9/32	10 5/8	2 27/32	4 7/32	7 1/2	6 9/16	8	2 9/16	5 7/32	3 3/4	3	3/4	(4)	95
1519-7-EF(S)	2A	4	15 9/32	10 5/8	2 27/32	4 7/32	7 1/2	6 9/16	9	2 9/16	5 9/16	4 1/2	3 3/4	3/4	(8)	133
1519-7-XF(S)	3	4	23 7/8	8 5/8	3 7/8	4 7/32	4 9/16	10 7/8	9	—	7 5/16	4 1/2	3 3/4	3/4	(8)	195
1519-8-XF(S)	3	6	25	8 5/8	3 7/8	5 13/16	4 9/16	12 1/16	10 1/2	—	8 3/8	5 1/2	4 3/4	7/8	(8)	215

Fives North American Combustion, Inc., 4455 East 71st Street, Cleveland, OH 44105 USA, Phone 216.271.6000

Fax 216.641.7852 email: fna.sales@fivesgroup.com • www.fivesgroup.com/fivesna