

1821 and 1824K (see other side) Shutoff Valves provide reliable, trouble-free service on clean gas.

In abnormally hot, dirty, or corrosive conditions, most shutoff valves can deteriorate and fail to shut off tightly. Frequent, periodic checking of all valves is urged.

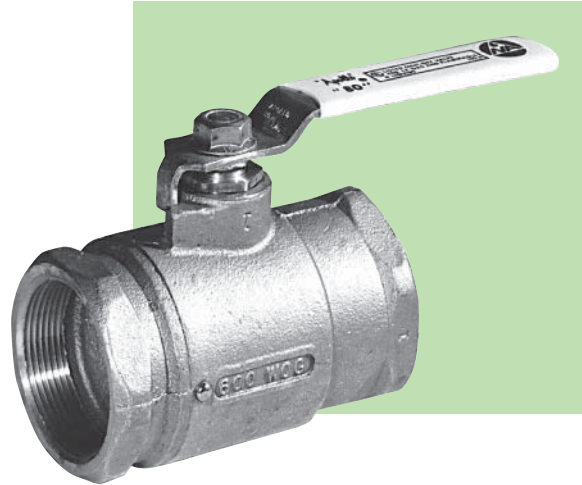
1821 High Pressure Valves—large port, ball-type valves with bronze bodies, chromium-plated bronze balls, and teflon seats and packing. Can be installed with flow in either direction.

Valve is UL listed according to:

- Guide YRPV: Natural gas
- Guide YSDT: LP gas
- Guide YRBX: Flammable liquid
- Guide MHKZ: #6 oil at 250 F and 250 psi

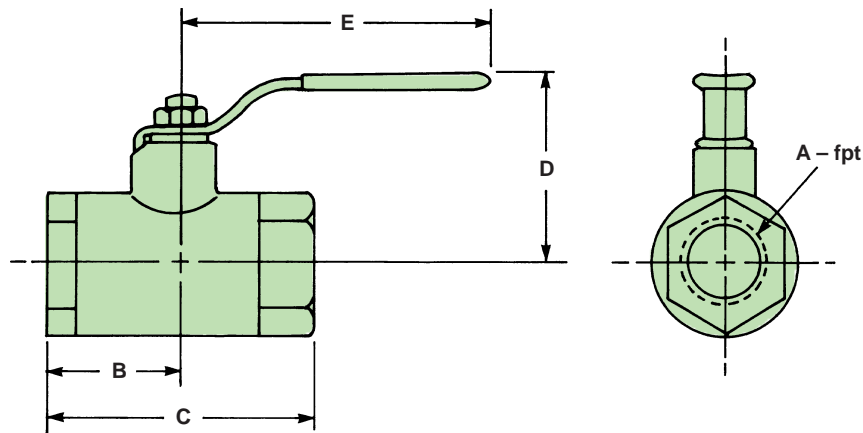
Ratings:

- Natural gas, oil, or water: 600 psi at 265 F
- LP gas: 250 psi
- Saturated steam: 150 psi



For 1/4" through 2" size, see Bulletin 1821A.

1821 HIGH PRESSURE VALVES



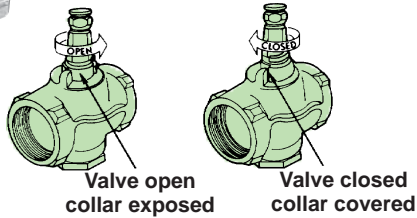
1821 ball valves are available for oxygen service. They are not UL listed. To order, specify: 1821-5-C.
1821 ball valves are also available with locking handles. They are not UL listed. To order, specify: 1821-5-LH.

DIMENSIONS SHOWN ARE SUBJECT TO CHANGE. PLEASE OBTAIN CERTIFIED PRINTS FROM FIVES NORTH AMERICAN COMBUSTION, INC. IF SPACE LIMITATIONS OR OTHER CONSIDERATIONS MAKE EXACT DIMENSION(S) CRITICAL.

Valve designation	dimensions in inches					C _v rating	scfh natural gas		wt, lb
	A	B	C	D	E		1 osi drop	1"wc	
1821-5	2 1/2	3 1/4	6 1/2	4 7/8	8	440	33 600	25 400	17.8
1821-6	3	3 3/8	6 3/4	4 7/8	8	390	29 800	22 500	19.4

Capacities based on 0.6 sp gr gas at pressure drops shown with 1 psi inlet pressure.

Shutoff Valves



1824K Lubricated Plug Valves are all iron (semi-steel) construction, listed by UL for natural and manufactured gases.

Ratings:

Maximum inlet pressure: 200 psi
Temperature range: -20 F to 450 F

Valves are suitable for coke oven gas and other gases corrosive to copper-base alloys.

All 1824K valves have removable wrench handles. **CAUTION:** Some valves' handles can be indexed in 45° increments, which means handle position may not indicate plug position (open or closed). To be sure a valve is fully closed, check that it is turned fully clockwise to stop.

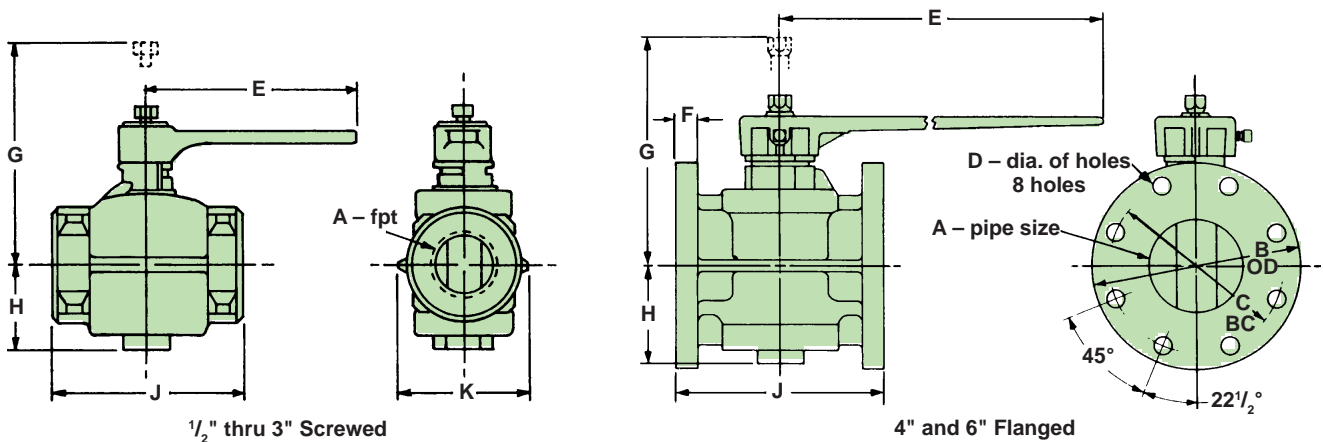
Newer style valves have handles that can be indexed only in 180° increments, thus always indicate plug position.

In abnormally hot, dirty, or corrosive conditions, most shutoff valves can deteriorate and fail to shut off tightly. Frequent, periodic checking of all valves is strongly recommended.

Valve requires periodic lubrication. See Sheet 1824-1.

Valve position indicator is a sleeve that rotates to cover a collar when valve is closed, exposes collar when valve is open.

1824K LUBRICATED PLUG VALVES



DIMENSIONS SHOWN ARE SUBJECT TO CHANGE. PLEASE OBTAIN CERTIFIED PRINTS FROM FIVES NORTH AMERICAN COMBUSTION, INC. IF SPACE LIMITATIONS OR OTHER CONSIDERATIONS MAKE EXACT DIMENSION(S) CRITICAL.

Valve designation	dimension in inches										wt, lb	equivalent length of straight pipe in feet
	A	B	C	D	E	F	G	H	J	K		
1824K-01	1/2	—	—	—	7	—	5 ³ / ₈	1 ⁷ / ₈	3 ⁵ / ₈	2 ¹ / ₂	4.6	1.4
1824K-0	3/4	—	—	—	7	—	5 ³ / ₈	1 ⁷ / ₈	3 ⁵ / ₈	2 ¹ / ₂	4.6	1.4
1824K-1	1	—	—	—	7	—	5 ³ / ₈	1 ⁷ / ₈	3 ⁷ / ₈	2 ¹ / ₂	5	1.7
1824K-2	1 ¹ / ₄	—	—	—	7	—	5 ³ / ₈	1 ⁷ / ₈	5	2 ³ / ₄	7	4.2
1824K-3	1 ¹ / ₂	—	—	—	7	—	5 ⁵ / ₈	2 ¹ / ₈	5	3	8	4.1
1824K-4	2	—	—	—	7	—	6	2 ⁵ / ₈	5 ³ / ₄	3 ¹ / ₂	12	5.9
1824K-5	2 ¹ / ₂	—	—	—	12	—	8	3 ¹ / ₈	6 ³ / ₄	4 ¹ / ₄	19	4.7
1824K-6	3	—	—	—	12	—	8 ¹ / ₄	3 ¹ / ₄	7 ¹ / ₂	5	25	8.8
1824K-7	4	9	7 ¹ / ₂	3 ³ / ₄	18	1 ⁵ / ₁₆	10 ¹ / ₂	4 ¹ / ₄	9	—	70	14.1
1824K-8	6	11	9 ¹ / ₂	7 ⁷ / ₈	24	1	11 ¹ / ₄	5 ¹ / ₈	10 ¹ / ₂	—	100	56

WARNING: Situations dangerous to personnel and property may exist with the operation and maintenance of an combustion equipment. The presence of fuels, oxidants, hot and cold combustion products, hot surfaces, electrical power in control and ignition circuits, etc., are inherent with any combustion application. Parts of this product may exceed 160F in operation and present a contact hazard. Fives North American urges compliance with National Safety Standards and insurance Underwriters recommendations, and care in operation.

Fives North American Combustion, Inc., 4455 East 71st Street, Cleveland, OH 44105 USA, Phone 216.271.6000
Fax 216.641.7852 email: fna.sales@fvesgroup.com • www.fvesgroup.com/fvesna