

1821B ball valves are constructed of heavy duty forged brass. They are designed for industrial, residential and commercial use on steam, water, oil or gas. Their full ports allow for a maximum of flow and a minimum of pressure drop or turbulence. The valve is CGA certified, UL listed, and FM approved.

1821B ball valves can be ordered with the option to be cleaned for oxygen service. A locking handle option is also available.



Pressure Ratings:

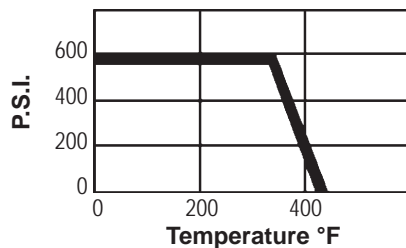
- 125 psi: Natural gas; CSA certified Class 3371 90; ANSI/ASME B16.33/B16.38
- 400 psi: Natural gas; UL guide YRPV
- 400 psi: #6 oil at 250 F; UL guide MHKZ
- 600 psi: W.O.G. non-shock (water, oil, gas)
- 150 psi: W.S.P. (working steam pressure)
- FM Approved Class 1140

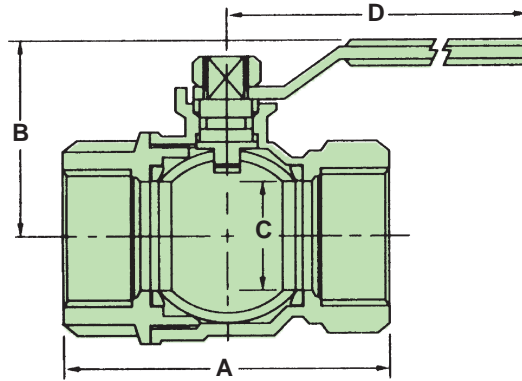
1821B HIGH PRESSURE VALVES

Materials

- Body - Forged Brass ASTM C37700
- Chrome Plated Ball - Forged Brass ASTM C37700
- Packing Nut - Forged Brass ASTM C37700
- Stem - Forged Brass ASTM C37700
- Lock Washer - Chrome Plated Steel

- Seat - Teflon
- Stem O-Ring - Viton®
- Stem Packing - Teflon
- Handle Nut - Chrome Plated Steel
- Handle - Chrome Plated Steel

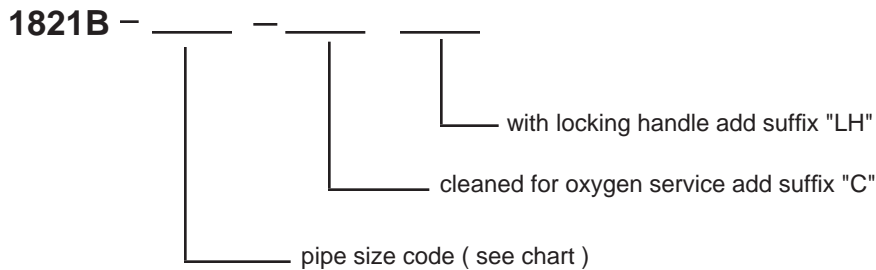




1821B	Valve size	dimensions in inches				C _v rating
		A	B	C	D	
-03	1/4"	1.81	1.41	.39	2.95	11.84
-02	3/8"	1.85	1.41	.39	2.95	11.84
-01	1/2"	2.48	1.53	.59	2.95	20.25
-0	3/4"	2.71	1.93	.79	3.74	41.83
-1	1"	3.30	2.40	1.00	4.72	78.38
-2	1 1/4"	3.78	2.59	1.25	4.72	132.10
-3	1 1/2"	4.17	3.22	1.57	5.90	206.96
-4	2"	5.00	3.50	2.00	5.90	346.00

DIMENSIONS SHOWN ARE SUBJECT TO CHANGE. PLEASE OBTAIN CERTIFIED PRINTS FROM FIVES NORTH AMERICAN COMBUSTION, INC. IF SPACE LIMITATIONS OR OTHER CONSIDERATIONS MAKE EXACT DIMENSION(S) CRITICAL.

ORDER INFORMATION



Examples: 1821B-1; 1821B-1-C; 1821B-1-LH; 1821B-1-CLH

WARNING: Situations dangerous to personnel and property may exist with the operation and maintenance of any combustion equipment. The presence of fuels, oxidants, hot and cold combustion products, hot surfaces, electrical power in control and ignition circuits, etc., are inherent with any combustion application. Parts of this product may exceed 160F in operation and present a contact hazard. Fives North American urges compliance with National Safety Standards and insurance Underwriters recommendations, and care in operation.

Fives North American Combustion, Inc. - 4455 East 71st Street - Cleveland, OH 44105 USA - Phone 216.271.6000
Fax 216.641.7852 - email: fna.sales@fivesgroup.com - www.fivesgroup.com/fivesna