

H6231 SimPlex™ Detector Interface



- Interfaces ± 10 V output detectors to SimPlex controllers
 - Control point can be set based on strip position
 - Range-limited offset capability
- Setup via pushbutton operation
 - Inadvertent operation protected by special sequence
 - Simple plug-in connections to controller and detector

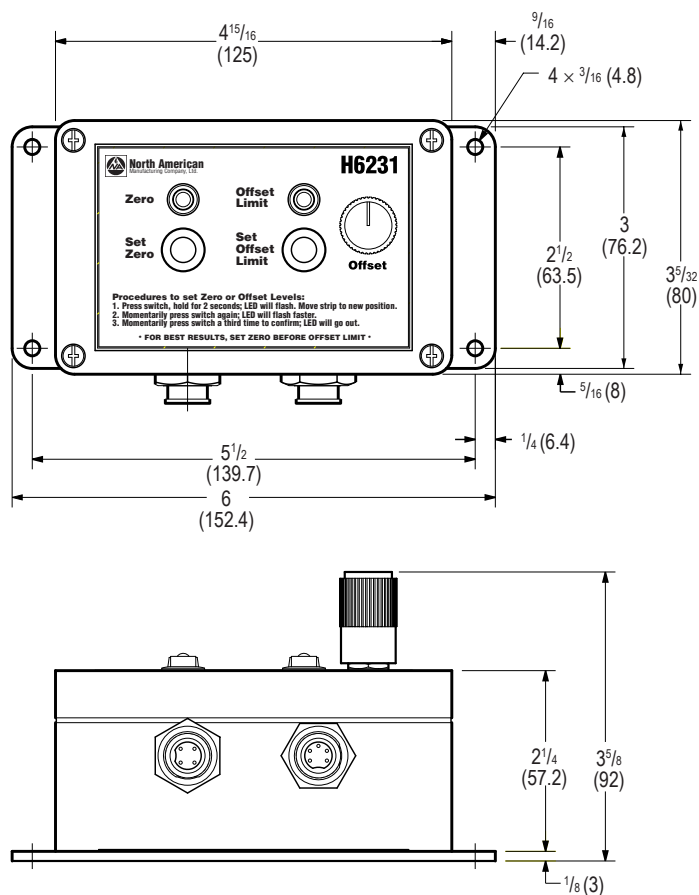
The Fives North American H6231 is designed to interface detectors with bipolar outputs (± 10 V) to SimPlex controllers. These include detectors such as the H3118, H3183, DSS, and the H3333 capacitance detector. It provides a zeroing function that can be used to set control point based on strip position. It also provides a range-limited offset capability to allow finer offset adjustment over a small portion of the detector field of view. The H6231 also provides ± 15 V detector power.

The H6231 connects to either SimPlex detector input. It allows setting control point anywhere within $\pm 20\%$ of the detector centerline. The offset limit function is adjustable between a maximum of $\pm 20\%$ of the detector field of view and a minimum of $\pm 1\%$.

The H6231 provides for simple plug connection to the detector and controller. It is housed in a stand-alone enclosure that can be surface mounted.

DIMENSIONS

inches (mm)



DIMENSIONS SHOWN ARE SUBJECT TO CHANGE. PLEASE OBTAIN CERTIFIED PRINTS FROM FIVES NORTH AMERICAN COMBUSTION, INC.
IF SPACE LIMITATIONS OR OTHER CONSIDERATIONS MAKE EXACT DIMENSION(S) CRITICAL.

SPECIFICATIONS

Model Numbers:

- H6231-100-01 SimPlex™ detector interface
- H6231-AMP -15 Cable, H6231 to SimPlex controller, 15' (4.6 m)
- H6231-3118-50 Cable, H6231 to detector, 50' (15.2 m)

Detector types: Any detector with ±10 V output range

Detector zero: Can be set anywhere within ±20% of the detector's centerline

SimPlex connection: Standard 4-pin SimPlex detector plug

Offset limit: Adjustable from ±20% to ±1% of detector field of view

External detector connection: SimPlex-type 5-pin connector

Dimensions: 6" (152 mm) L × 3.15" (80 mm) W × 3.63" (92 mm) H

Power input: Provided by SimPlex detector port

Detector power output: ±15V at 115 mA total current

Enclosure: Dust tight, IP50

External detector signal input: Bipolar, up to ±10 V dc

Fives North American Combustion, Inc. Guiding Systems

4455 EAST 71st STREET, CLEVELAND, OH 44105 USA
Tel: 216.271.6000 Fax: 216.641.7852

email: fna.guiding@fivesgroup.com - www.fivesgroup.com/fivesna