

## H6350 Motor Drive Amplifier



- Drives up to 4000 lb. thrust actuators
- Senses stall conditions, preventing motor overheating
- No tachometer needed
- Overtemperature protection
- Integral Brake Operation (Optional)
- Protected against motor short circuits

The H6350 is a high frequency pulse width modulated (PWM) motor drive amplifier. It interfaces directly with a control amplifier to provide drive signals to an electromechanical actuator.

The H6350 can drive actuators with up to 4000lb. thrusts, such as Fives North American's H5530H or H5530K series. It is intended for driving large loads, such as unwind and rewind stands and heavily loaded intermediate guides. Brake control is provided for actuators that include the brake option.

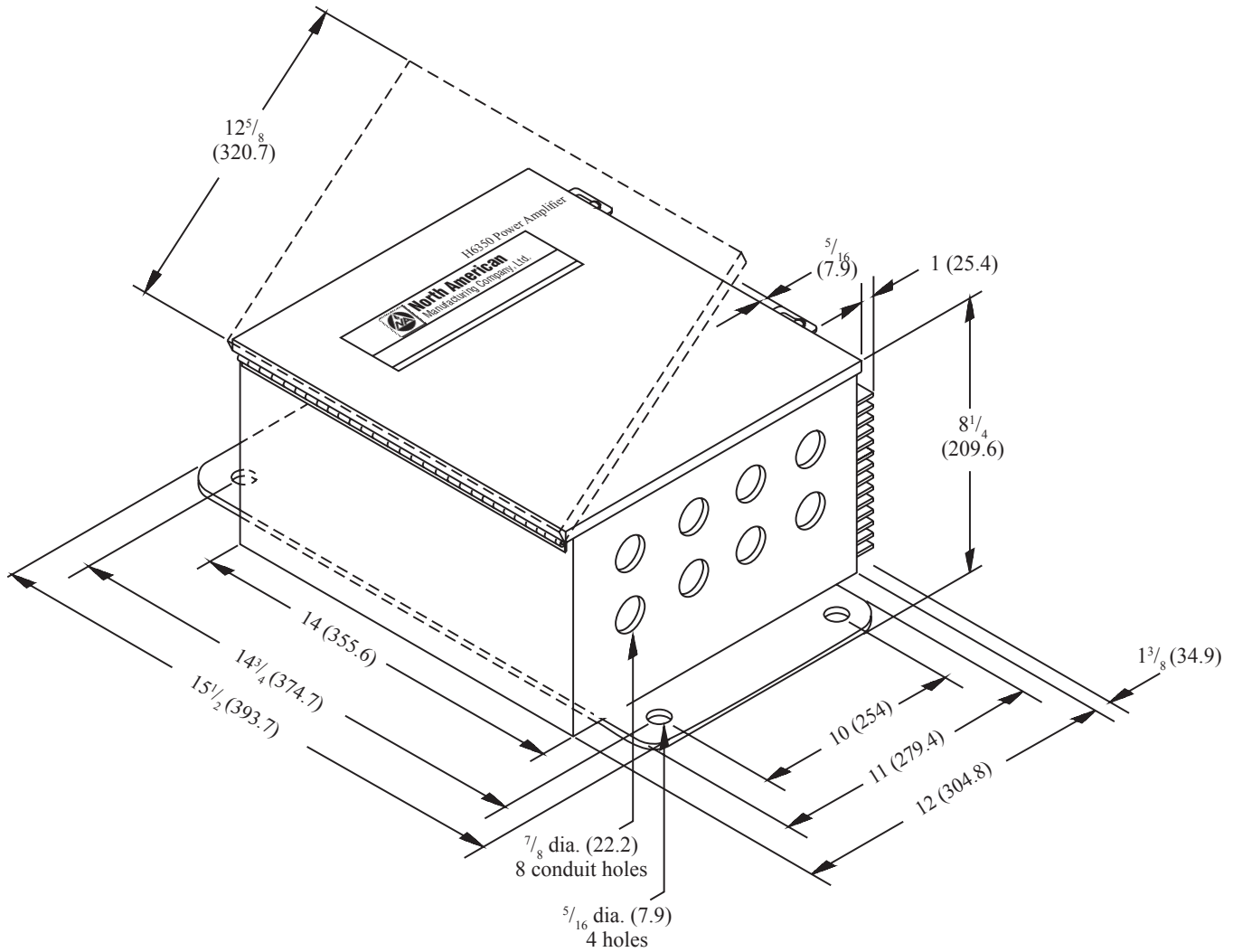
Overtemperature and overvoltage protection is built-in. The H6350 automatically restarts after resolution of an overtemperature or overvoltage condition.

The H6350 features directional inhibit inputs, providing actuator and guide protection from potential mechanical damage at end-of-stroke.

The H6350 provides up to 12.5A continuous current and features an internal current limiter to protect it from overloads. If needed, a 120 V or 240 V ac line- run relay input can be used to disable the amplifier output. It is compatible with standard line-run relays and pushbutton stations.

# H6350-400-XX DIMENSIONS

inches (mm)



DIMENSIONS SHOWN ARE SUBJECT TO CHANGE. PLEASE OBTAIN CERTIFIED PRINTS FROM FIVES NORTH AMERICAN IF SPACE LIMITATIONS OR OTHER CONSIDERATIONS MAKE EXACT DIMENSION(S) CRITICAL.

---

## SPECIFICATIONS

---

Power Requirements: 102–132 V ac or  
204–264 V ac (jumper selected)  
50–60 Hz at 15A maximum.

**Power Output:**

H6350-400-10 (1000 lb. thrust): 450W for the  
H5530H-XX-XX1X actuators

H6350-400-20 (2000 lb. thrust): 800W for the  
H5530K-XX-XX2X actuator

H6350-400-30 (3000 lb. thrust): 780W for the  
H5530K-XX-XX3X actuator

H6350-400-40 (4000 lb. thrust): 1000W for the  
5530K-XX-XX4X actuator

Operating Temperature Range: 32- 122 F (0- 50 C)

Overtemperature Protection: Shuts down when heat  
sink temperature goes over 149 F (65 C). Self-  
resets on resolution of overtemperature condition.

Bandwidth: 2.5 kHz

**Pre-amp Input:**

H6350-400-XX: Models H6600, H6601, H6195, and  
H6090 controllers; also  $\pm 10$ Vdc velocity input.

Current Limit: 12.5 A maximum (factory set to match  
motor).

Output Voltage:  $\pm 132$  V dc maximum.

Line Run Relay Input: 120 V ac or 240 V ac. Disables the  
amplifier output.

Directional Inhibit Inputs: +12 to +28 V dc input on  
either inhibit input prevents actuator movement in  
one direction.

Overvoltage Protection (DC Output): Shuts down above  
200 V. Self-resetting on resolution of overvoltage.

Fault Relay: NC Relay Contact.

5A at 24 V dc or 120 V ac

3A at 240 V ac.

Contact closes with short circuited output, inhibit  
active, overvoltage, overtemperature, and power  
loss conditions.

Weight: 55 lb.

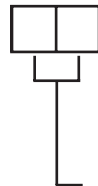
---

## MODEL No. CODING

---

The H6350 model number determines the thrust of the unit, as follows:

H6350-400-



10 = 1000 lb. thrust  
20 = 2000 lb. thrust  
30 = 3000 lb. thrust  
40 = 4000 lb. thrust

**Cables:**

H6350-5530H-20L: 20 feet from H6350-400-XX to H5530H actuator.

H6350-5530H-50L: 50 feet from H6350-400-XX to H5530H actuator.

H6350-5530H-100L: 100 feet from H6350-400-XX to H5530H actuator.

H6350-5530K-20L: 20 feet from H6350-400-XX to H5530K actuator.

H6350-5530K-50L: 50 feet from H6350-400-XX to H5530K actuator.

H6350-5530K-100L: 100 feet from H6350-400-XX to H5530K actuator.

Offering an extensive array of products, capabilities, and experience, and a dedication to providing services to you for all phases of your guiding requirements, Fives North American is a company you can depend on for the right system for your specific needs.

- **Process Analysis**
- **Application Experience**
- **System Engineering**
- **Extensive Array of Products**
- **Quality Manufacturing**
- **Start-Up Assistance**
- **Parts and Service**
- **In Plant Training**

Fives North American supports your guiding needs by providing experienced application specialists that are readily available to you. FivesNA's direct sales force is among the most knowledgeable in the industry. We have the ability to diagnose individual situations and offer the optimum guiding solution. Working together with an extensive corporate engineering staff, our field office locations across the U.S., Canada, and our international agents are ready to provide a quick response to your needs. Call us and we'll prove it to you!



**fives north american**

**Fives North American Combustion, Inc.  
Guiding Systems**

4455 EAST 71st STREET, CLEVELAND, OH 44105 USA  
Tel: 216.271.6000 Fax: 216.641.7852

email: [fna.guiding@fivesgroup.com](mailto:fna.guiding@fivesgroup.com) • [www.fivesgroup.com/fivesna](http://www.fivesgroup.com/fivesna)