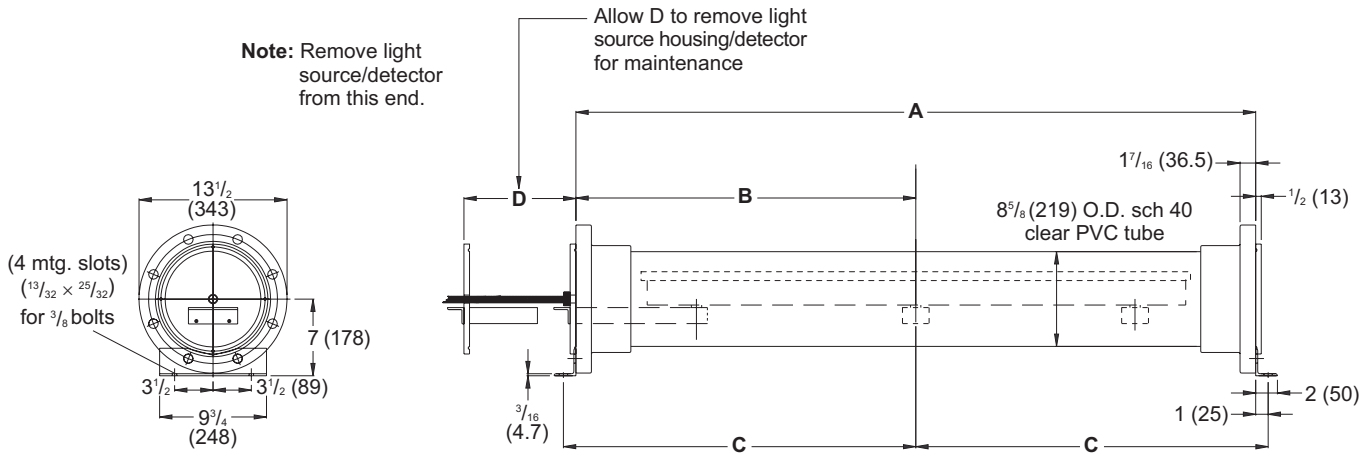


H3118 and H3137 Watertight Protective Sleeve

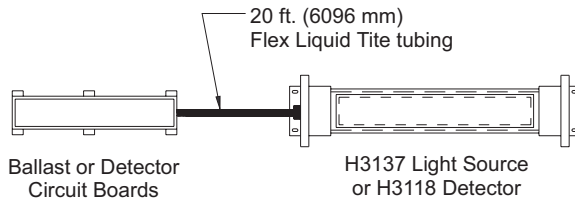


- Water tight clear PVC schedule 40 pipe designed to protect the detector and light source from corrosive and wet environments.
- Bolt on end covers to provide easy access for H3118 detector or H3137 light source maintenance.
- Applications include inside rinse tanks and washdown applications.

DIMENSIONS inches (mm)



Note: Plastic protection tube can be rotated in 90° increments.



- Notes:**
- 1) Fluorescent light source can be single or dual bulbs in a single enclosure.
 - 2) Maximum gap is 4 feet (1219 mm).
 - 3) Maximum "A" dimension is 124" (3150 mm).

Part no.	length in inches (mm)				Light Source/Detector model no.
	A	B	C	D	
H3137-1906-1 H3118-1906-1	62 (1575)	31 (787)	32 (813)	61 (1549)	H3137-048-44 H3118-XX-50
H3137-1906-2 H3118-1906-2	74 (1880)	37 (940)	38 (965)	73 (1854)	H3137-060-56 H3118-XX-62
H3137-1906-3 H3118-1906-3	86 (2184)	43 (1092)	44 (1118)	85 (2159)	H3137-072-68 H3118-XX-74
H3137-1906-4 H3118-1906-4	98 (2489)	49 (1245)	50 (1270)	97 (2464)	H3137-084-80 H3118-XX-86
H3137-1906-5 H3118-1906-5	110 (2794)	55 (1397)	56 (1422)	109 (2769)	H3137-096-92 H3118-XX-98

Fives North American Combustion, Inc., 4455 East 71st Street, Cleveland, OH 44105 USA, Phone 216.271.6000
Fax 216.641.7852 email: fna.guiding@fivesgroup.com • www.fivesgroup.com/fivesna