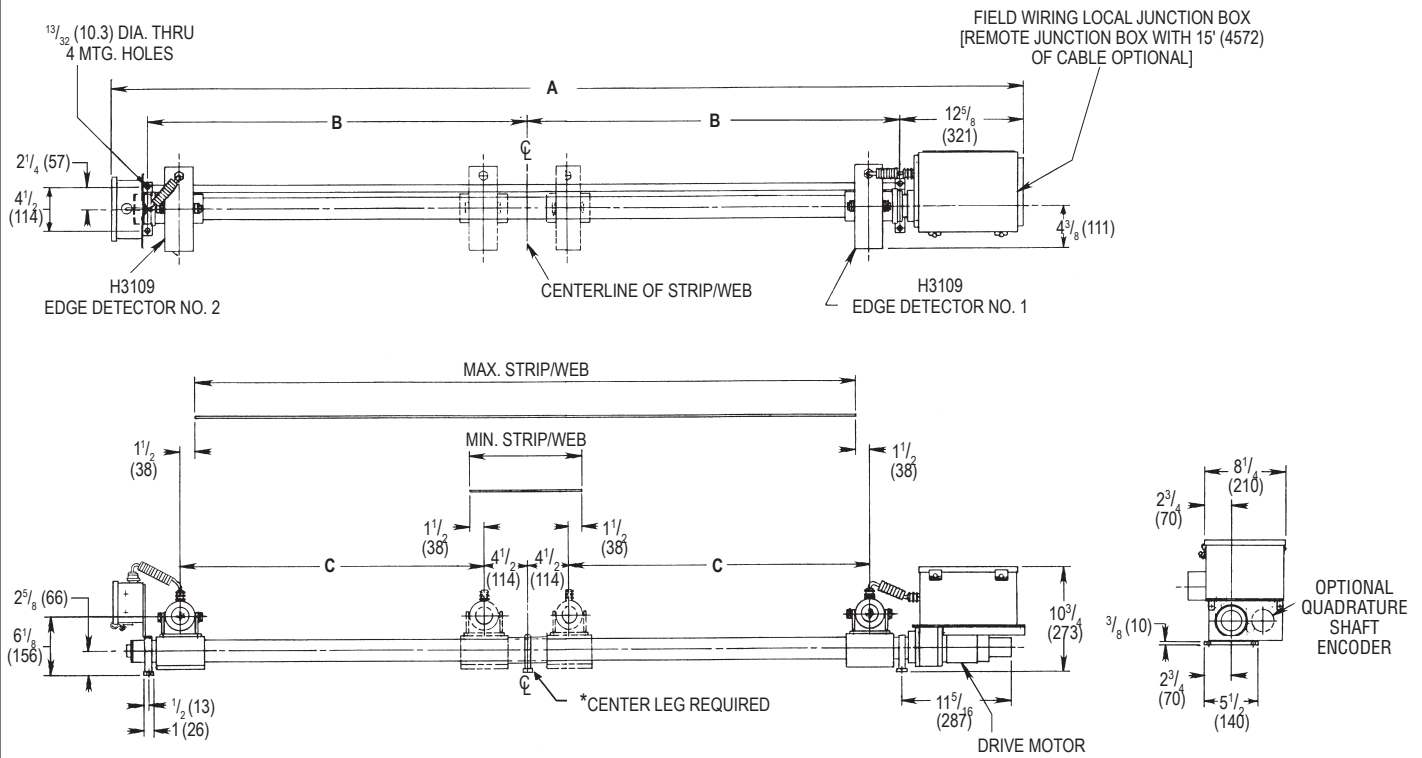


H5536 MOTORIZED LEFT- AND RIGHT-HAND POSITIONER WITH (2) H3109 EDGE DETECTORS

Ref: Dwg. HC08-1339

DIMENSIONS inches (mm)



NOTE: ELECTRIC MOTOR AND DETECTORS ARE PRE-WIRED INTO JUNCTION BOX BY FIVES NORTH AMERICAN COMBUSTION, INC.

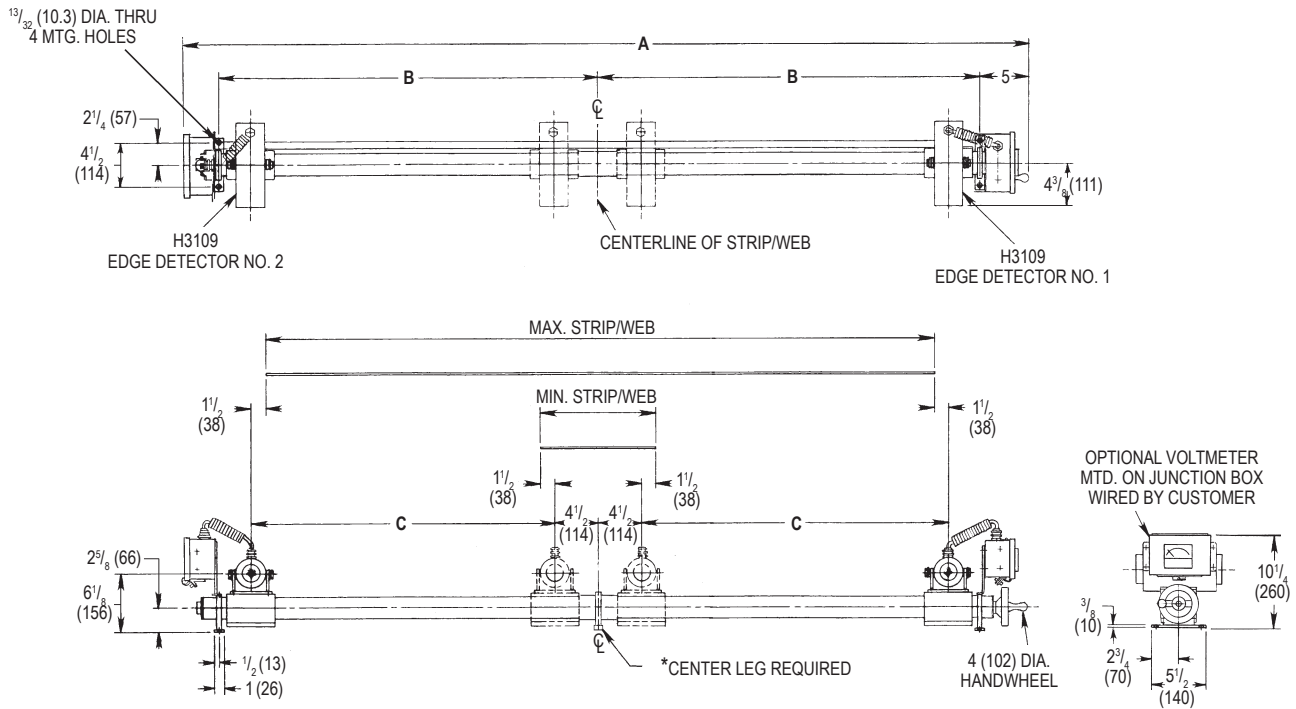
Detector Positoner Model No.	Light Source Model No.	Dimensions in inches (mm)			Min. Strip	Max. Strip
		A	B	C		
H5536-1XX-33	H31XX-048-44	59 ³ / ₈ (1508)	21 ¹ / ₂ (546)	13 ¹ / ₂ (343)	12 (305)	33 (838)
H5536-1XX-45	H31XX-060-56	71 ³ / ₈ (1813)	27 ¹ / ₂ (699)	19 ¹ / ₂ (495)	12 (305)	45 (1143)
H5536-1XX-57	H31XX-072-68	83 ³ / ₈ (2118)	33 ¹ / ₂ (851)	25 ¹ / ₂ (648)	12 (305)	57 (1448)
*H5536-1XX-69	H31XX-084-80	95 ³ / ₈ (2423)	39 ¹ / ₂ (1003)	31 ¹ / ₂ (800)	12 (305)	69 (1753)
*H5536-1XX-81	H31XX-096-92	107 ³ / ₈ (2727)	45 ¹ / ₂ (1156)	37 ¹ / ₂ (953)	12 (305)	81 (2057)
*H5536-1XX-93	Consult Factory	119 ³ / ₈ (3032)	51 ¹ / ₂ (1308)	43 ¹ / ₂ (1105)	12 (305)	93 (2362)
*H5536-1XX-105	Consult Factory	131 ³ / ₈ (3337)	57 ¹ / ₂ (1461)	49 ¹ / ₂ (1257)	12 (305)	105 (2667)

DIMENSIONS SHOWN ARE SUBJECT TO CHANGE. PLEASE OBTAIN CERTIFIED PRINTS FROM FIVES NORTH AMERICAN COMBUSTION, INC.
IF SPACE LIMITATIONS OR OTHER CONSIDERATIONS MAKE EXACT DIMENSION(S) CRITICAL.

H5539 MANUAL LEFT- AND RIGHT-HAND POSITIONER WITH (2) H3109 EDGE DETECTORS

Ref: Dwg. HC08-1336

DIMENSIONS inches (mm)



NOTE: DETECTORS ARE PRE-WIRED INTO JUNCTION BOX BY FIVES NORTH AMERICAN COMBUSTION, INC.

Detector Positoner Model No.	Light Source Model No.	Dimensions in inches (mm)				
		A	B	C	Min. Strip	Max. Strip
H5539-12X-33	H31XX-048-44	51 ³ / ₄ (1314)	21 ¹ / ₂ (546)	13 ¹ / ₂ (343)	12 (305)	33 (838)
H5539-12X-45	H31XX-060-56	63 ³ / ₄ (1619)	27 ¹ / ₂ (699)	19 ¹ / ₂ (495)	12 (305)	45 (1143)
H5539-12X-57	H31XX-072-68	75 ³ / ₄ (1924)	33 ¹ / ₂ (851)	25 ¹ / ₂ (648)	12 (305)	57 (1448)
*H5539-12X-69	H31XX-084-80	87 ³ / ₄ (2229)	39 ¹ / ₂ (1003)	31 ¹ / ₂ (800)	12 (305)	69 (1753)
*H5539-12X-81	H31XX-096-92	99 ³ / ₄ (2534)	45 ¹ / ₂ (1156)	37 ¹ / ₂ (953)	12 (305)	81 (2057)
*H5539-12X-93	Consult Factory	111 ³ / ₄ (2838)	51 ¹ / ₂ (1308)	43 ¹ / ₂ (1105)	12 (305)	93 (2362)
*H5539-12X-105	Consult Factory	123 ³ / ₄ (3143)	57 ¹ / ₂ (1461)	49 ¹ / ₂ (1257)	12 (305)	105 (2667)

DIMENSIONS SHOWN ARE SUBJECT TO CHANGE. PLEASE OBTAIN CERTIFIED PRINTS FROM FIVES NORTH AMERICAN COMBUSTION, INC. IF SPACE LIMITATIONS OR OTHER CONSIDERATIONS MAKE EXACT DIMENSION(S) CRITICAL.

Fives North American Combustion, Inc., 4455 East 71st Street, Cleveland, OH 44105 USA, Phone 216.271.6000
Fax 216.641.7852 email: fna.guiding@fivesgroup.com • www.fivesgroup.com/fivesna