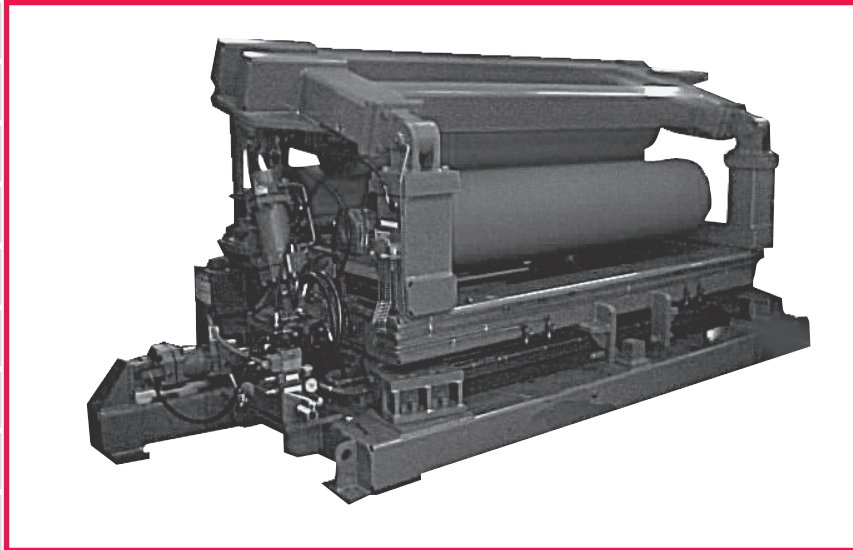


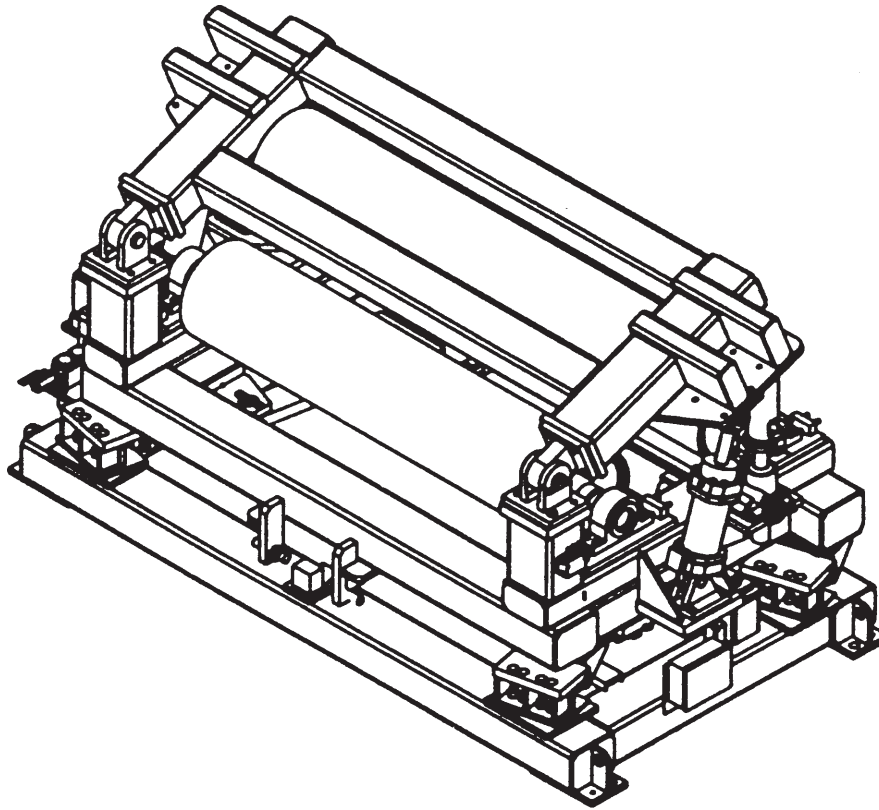
HMSH-30 Three Roll Steering Guide



- Correction capability adjustable up to ± 3 " (75mm)
- Compact design requiring minimum installation space
- Heavy duty ASTM 500 tube construction frame; stress relieved and machined after welding
- Adjustable links for pivot radius of 15' (4.6m) to 25' (7.6m)
- Urethane covered rolls, 85 to 90 shore A hardness
- Mill duty cylinders
- Lubrication circuit provided for the pillow blocks, swing pivots and pivot pins
- Integral hydraulic manifold for servo valve and lift cylinders
- Lubrication circuit provided for the pillow blocks, swing pivots and pivot pins

The three roll steering guide is used as a venier correction device prior to side trimmers and in other locations that don't allow a change in strip direction as required by a 90 degree wrap or 180 degree wrap steering device.

3-D VIEW OF HMSH-30 THREE FOLL STEERING GUIDE



Fives North American Combustion, Inc.
Guiding Systems

4455 EAST 71st STREET, CLEVELAND, OH 44105 USA

Tel: 216.271.6000 Fax: 216.641.7852

email: fna.guiding@fivesgroup.com • www.fivesgroup.com/fivesna