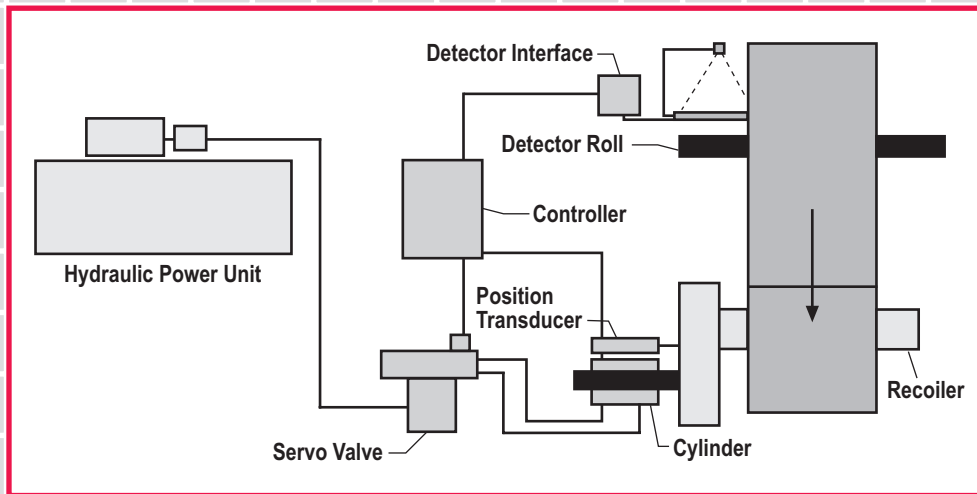


Recoiler Edge Guide Control System DSS Master/Slave System (Armless Type)



This closed loop proportional control system uses a stationary mounted "DSS" wide field of view linear detector, where no positioning of the edge detector is required.

Mounted just prior to the deflector roll, the detector senses the edge of the incoming strip and provides an analog output proportional to the lateral position of the strip edge. The linear position transducer, mounted to the recoiler, provides an analog output proportional to the recoiler's lateral position. The electronic controller compares the (DSS) detector output to the recoiler's transducer output. Any difference between the two signals results in an output to the hydraulic servo system which will move the recoiler until the recoiler transducer output matches the DSS output. The result is that the recoiler continuously follows the lateral position of the incoming strip edge.

Optional coil stagger wind circuit is available. This circuit adjusts the output of the electronic controller so that the strip is wound with a constant changing offset. This prevents the edge build-up from the bead at the edges of plated or painted coils that can cause sway-backed or telescoping rolls.

Fives North American Combustion, Inc.
Guiding Systems

4455 EAST 71st STREET, CLEVELAND, OH 44105 USA
Tel: 216.271.6000 Fax: 216.641.7852

email: fna.guiding@fivesgroup.com • www.fivesgroup.com/fivesna