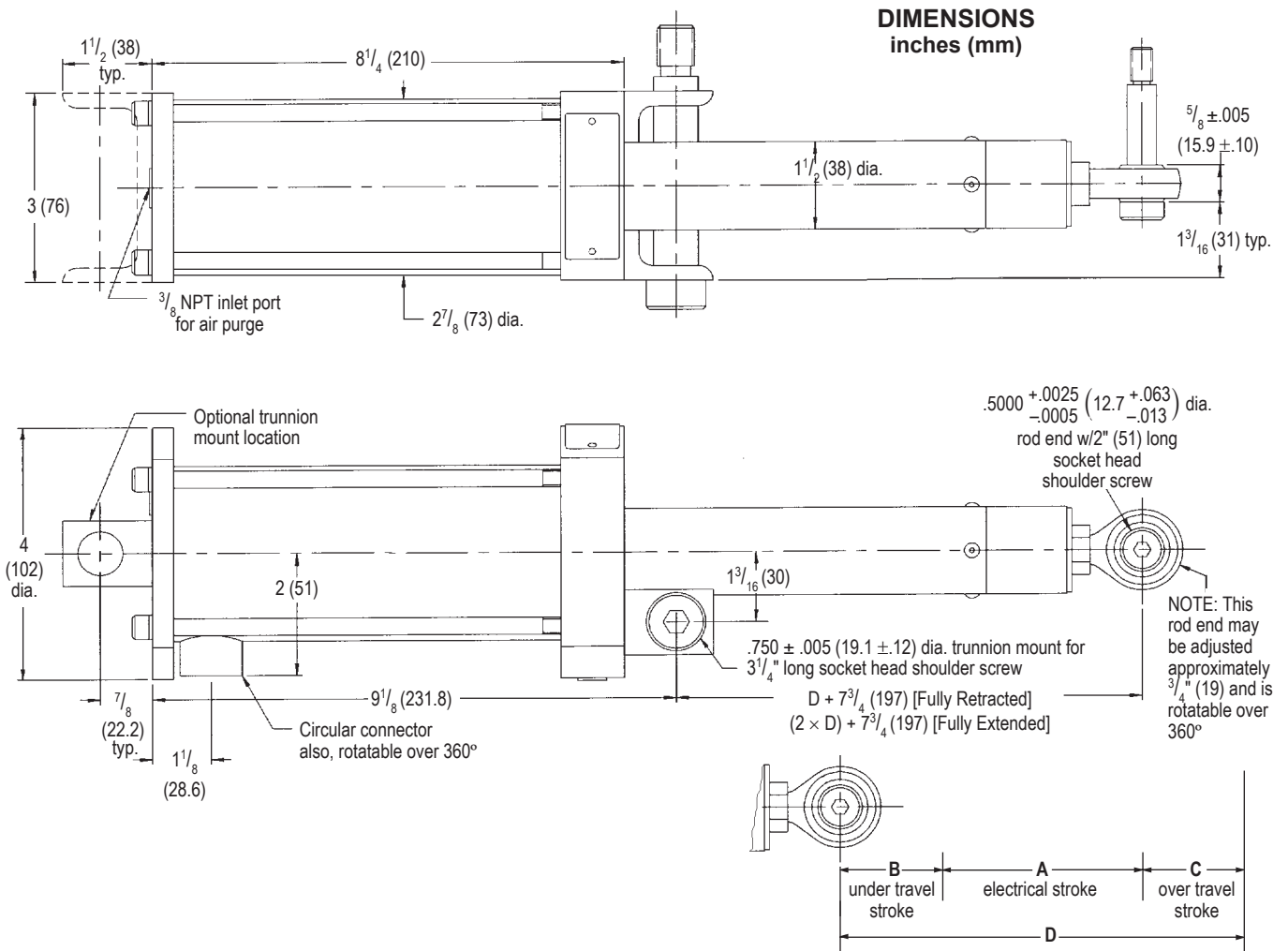




MAGNETOSTRICTIVE LINEAR TRANSDUCER DIMENSION DRAWING



Designation	dimensions in inches (mm)				Mill duty housing P/N	Replacement transducer P/N
	A	B	C	D		
H3605-012-01	12 (304.8)	$\frac{1}{2}$ (12.7)	$\frac{1}{2}$ (12.7)	13 (330.2)	H0865-10-12H	H0865-10-12
H3605-018-01	18 (457.2)	$\frac{1}{2}$ (12.7)	$\frac{1}{2}$ (12.7)	19 (482.6)	H0865-10-18H	H0865-10-18
H3605-024-01	24 (609.6)	$\frac{1}{2}$ (12.7)	$\frac{1}{2}$ (12.7)	24 (609.9)	H0865-10-24H	H0865-10-24
H3605-036-01	36 (914.4)	$\frac{1}{2}$ (12.7)	$\frac{1}{2}$ (12.7)	37 (939.8)	H0865-10-36H	H0865-10-36

DIMENSIONS SHOWN ARE SUBJECT TO CHANGE. PLEASE OBTAIN CERTIFIED PRINTS FROM FIVES NORTH AMERICAN COMBUSTION, INC. IF SPACE LIMITATIONS OR OTHER CONSIDERATIONS MAKE EXACT DIMENSION(S) CRITICAL.

Fives North American Combustion, Inc., 4455 East 71st Street, Cleveland, OH 44105 USA, Phone 216.271.6000
Fax 216.641.7852 email: fna.guiding@fivesgroup.com • www.fivesgroup.com/fivesna