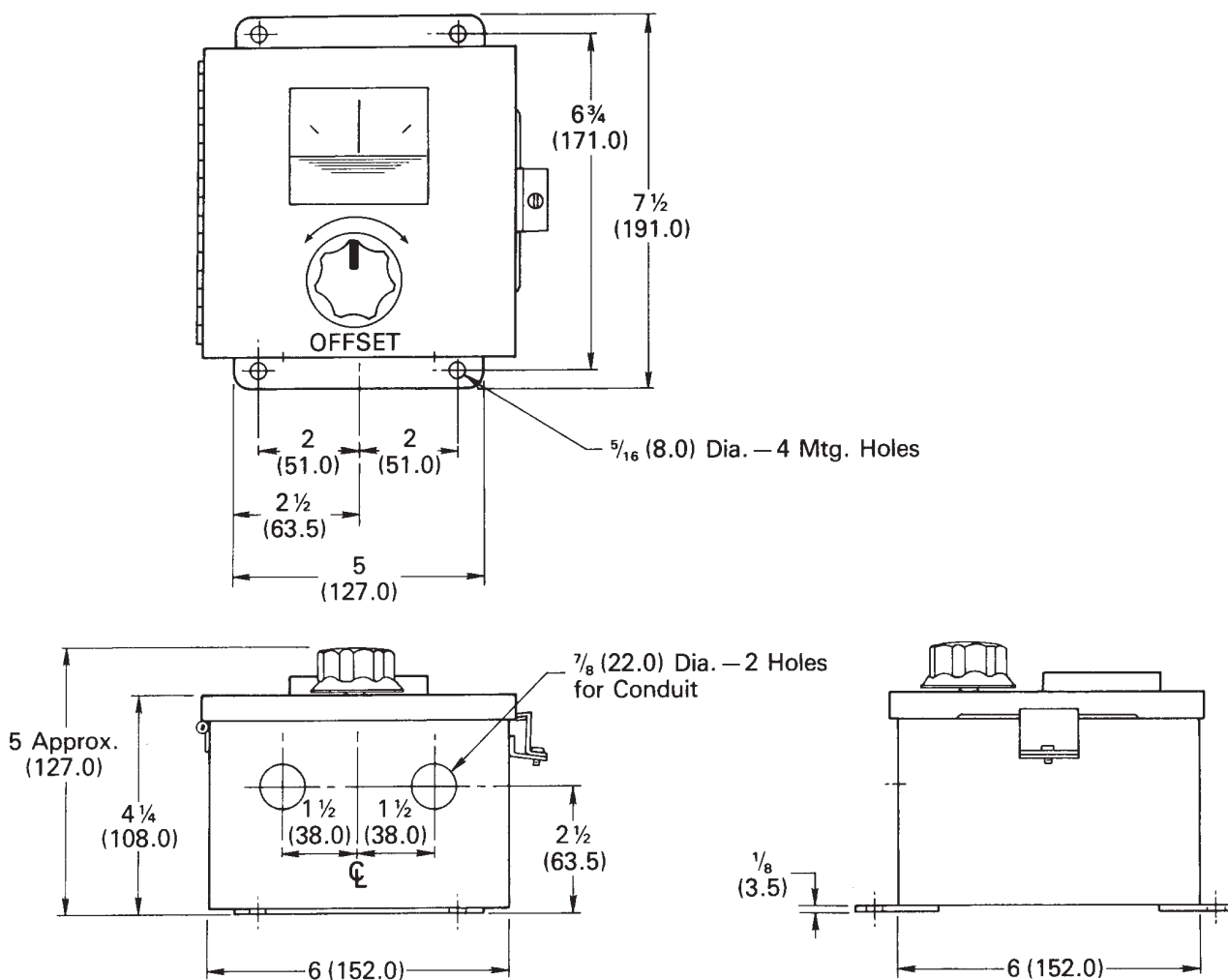




### MOUNTING DIMENSIONS FOR SERIES H6220 AND H6220B OFFSET CONTROL STATION

Ref: Dwg. HB11-222

Dimensions in inches (and mm)  
NOTE: Tolerance  $\pm 2$  mm.



DIMENSIONS SHOWN ARE SUBJECT TO CHANGE. PLEASE OBTAIN CERTIFIED PRINTS FROM FIVES NORTH AMERICAN COMBUSTION, INC.  
IF SPACE LIMITATIONS OR OTHER CONSIDERATIONS MAKE EXACT DIMENSION(S) CRITICAL.

Fives North American Combustion, Inc., 4455 East 71st Street, Cleveland, OH 44105 USA, Phone 216.271.6000  
Fax 216.641.7852 email: fna.guiding@fivesgroup.com • www.fivesgroup.com/fivesna