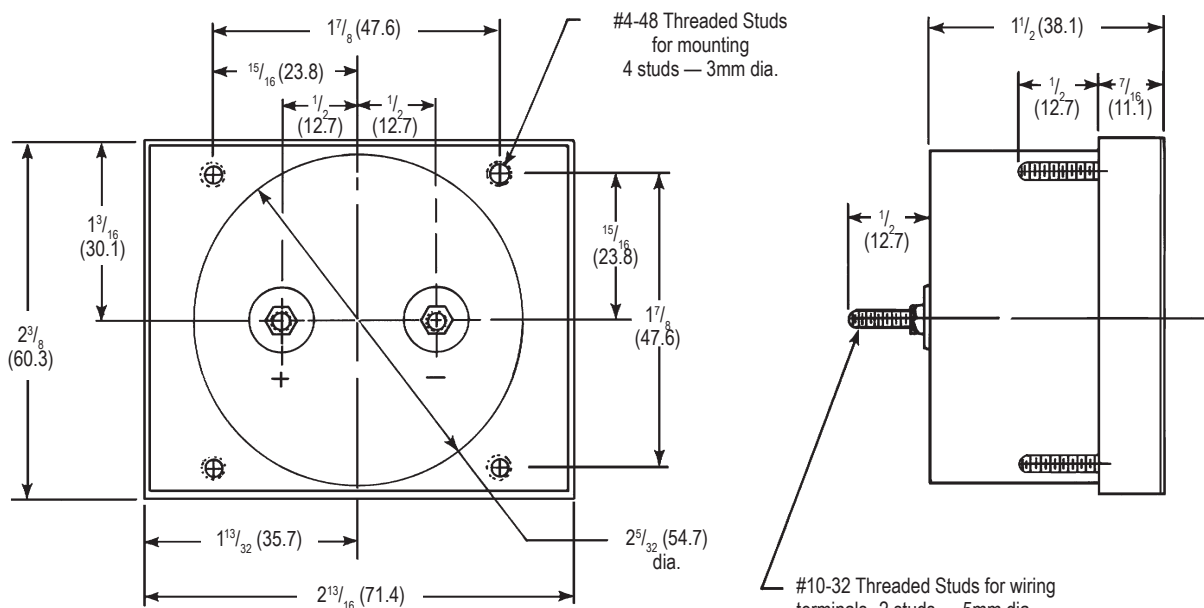




### DIRECT CURRENT VOLTAGE METERS



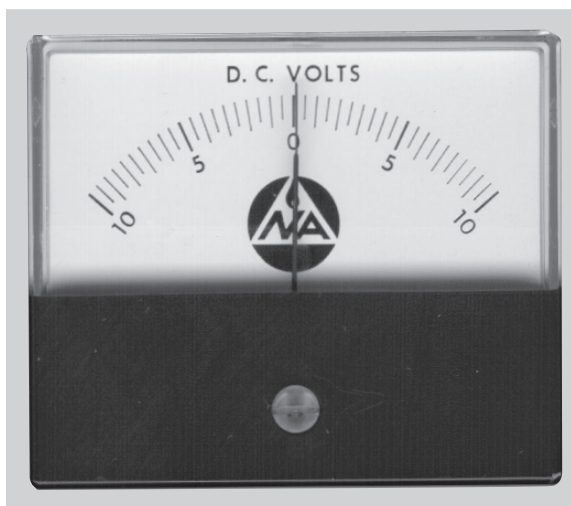
Dimensions in inches (and mm)

**NOTES:**

Panel cutout for mounting to be  $2\frac{1}{4}$  (57) dia.

Washers, lock washers and nuts for studs for wiring terminal connections and mounting are included.

**PART NO. EHX-2025  
METER FACE  $\pm 10$  V dc**



DIMENSIONS SHOWN ARE SUBJECT TO CHANGE. PLEASE OBTAIN CERTIFIED PRINTS FROM FIVES NORTH AMERICAN COMBUSTION, INC. IF SPACE LIMITATIONS OR OTHER CONSIDERATIONS MAKE EXACT DIMENSION(S) CRITICAL.

Fives North American Combustion, Inc., 4455 East 71st Street, Cleveland, OH 44105 USA, Phone 216.271.6000  
Fax 216.641.7852 email: [fna.guiding@fivesgroup.com](mailto:fna.guiding@fivesgroup.com) • [www.fivesgroup.com/fivesna](http://www.fivesgroup.com/fivesna)