

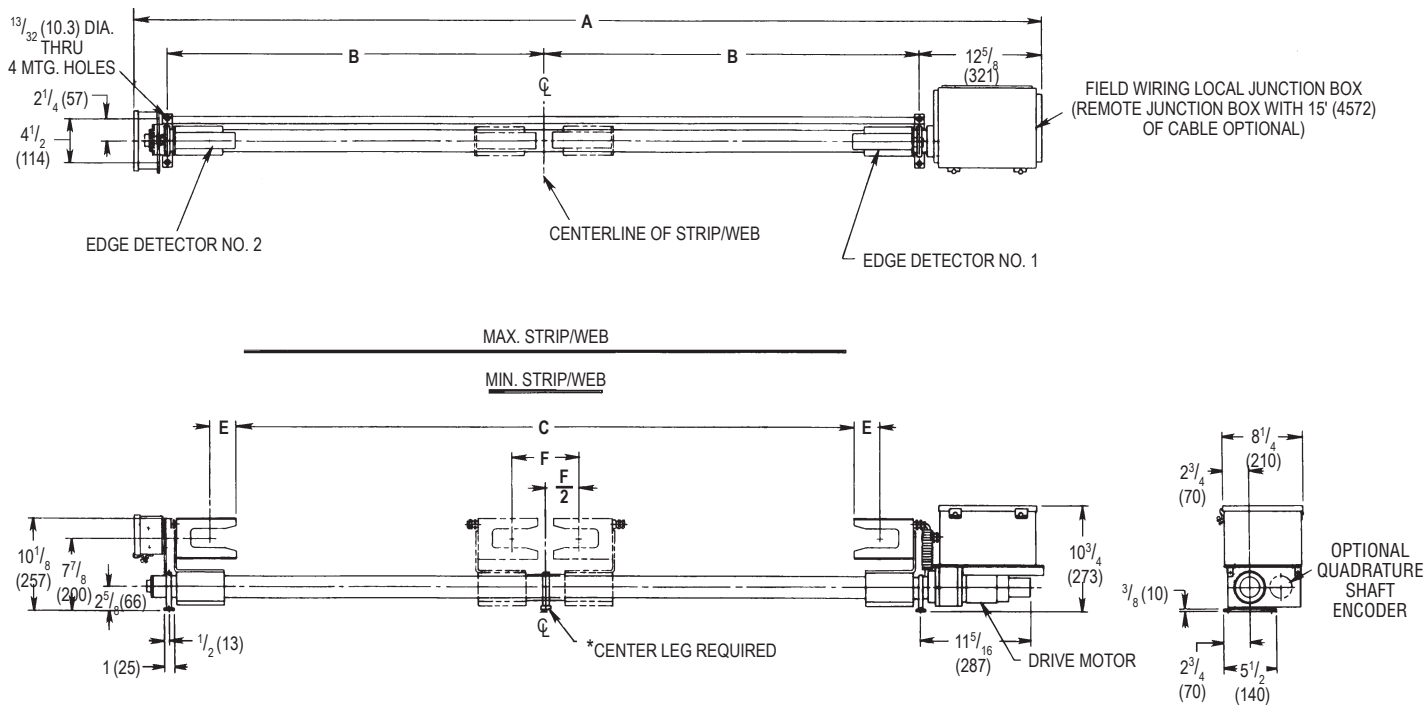
GUIDING SYSTEMS

July 1999

## H5536 MOTORIZED LEFT- AND RIGHT-HAND POSITIONER WITH (2) H3111 OR H3144 EDGE DETECTORS

Ref: Dwg. HC08-1337

### DIMENSIONS inches (mm)



NOTE: ELECTRIC MOTOR AND DETECTORS ARE PRE-WIRED INTO JUNCTION BOX BY NORTH AMERICAN Mfg. Co.

| Detector Positioner Model No. | A              | B             | C              | Strip Web Min. | Strip Web Max. |
|-------------------------------|----------------|---------------|----------------|----------------|----------------|
| H5536-2XX-27                  | 59 3/8 (1508)  | 21 1/2 (546)  | 28 1/4 (718)   | 12 (305)       | 27 (686)       |
| H5536-2XX-39                  | 71 3/8 (1813)  | 27 1/2 (699)  | 40 1/4 (1022)  | 12 (305)       | 39 (991)       |
| H5536-2XX-51                  | 83 3/8 (2118)  | 33 1/2 (851)  | 52 1/4 (1327)  | 12 (305)       | 51 (1295)      |
| *H5536-2XX-63                 | 95 3/8 (2423)  | 39 1/2 (1003) | 64 1/4 (1632)  | 12 (305)       | 63 (1600)      |
| *H5536-SM-63                  | 95 3/8 (2423)  | 39 1/2 (1003) | 64 1/4 (1632)  | 12 (305)       | 63 (1600)      |
| *H5536-2XX-75                 | 107 3/8 (2727) | 45 1/2 (1156) | 76 1/4 (1937)  | 12 (305)       | 75 (1905)      |
| *H5536-SM-75                  | 107 3/8 (2727) | 45 1/2 (1156) | 76 1/4 (1937)  | 12 (305)       | 75 (1905)      |
| *H5536-2XX-87                 | 119 3/8 (3032) | 51 1/2 (1308) | 88 1/4 (2242)  | 12 (305)       | 87 (2210)      |
| *H5536-2XX-99                 | 131 3/8 (3337) | 57 1/2 (1461) | 100 1/4 (2546) | 12 (305)       | 99 (2515)      |

| Detector Model No. | E          | F           |
|--------------------|------------|-------------|
| H3111              | 1 3/4 (44) | 4 3/4 (121) |
| H3144              | 2 3/4 (70) | 6 3/4 (171) |

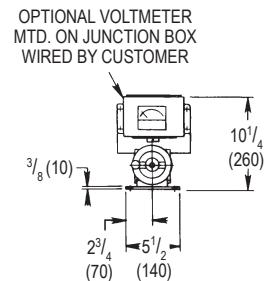
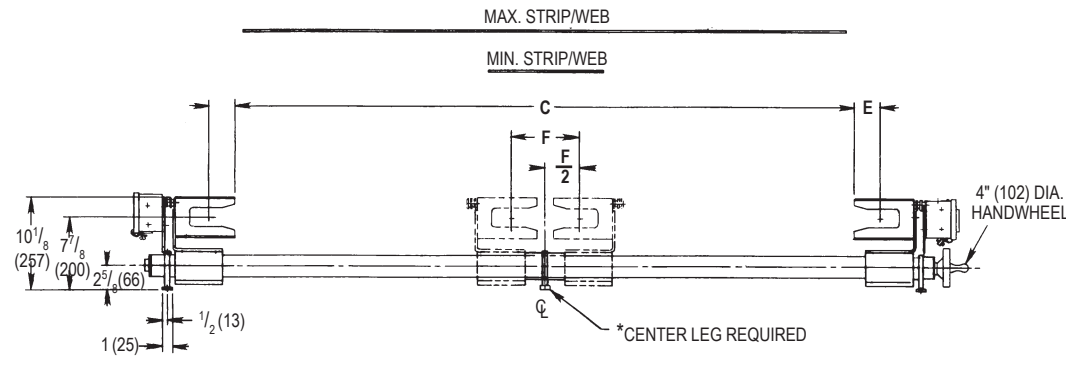
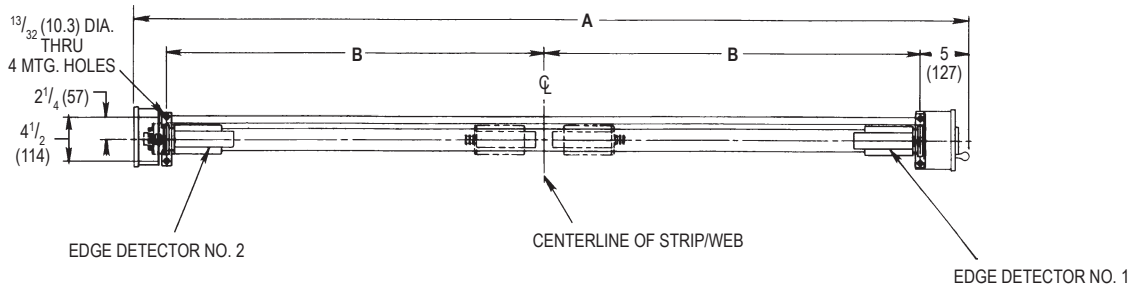
DIMENSIONS SHOWN ARE SUBJECT TO CHANGE. PLEASE OBTAIN CERTIFIED PRINTS FROM FIVES NORTH AMERICAN COMBUSTION, INC. IF SPACE LIMITATIONS OR OTHER CONSIDERATIONS MAKE EXACT DIMENSION(S) CRITICAL.

## H5539 MANUAL LEFT- AND RIGHT-HAND POSITIONER WITH (2) H3111 OR H3144 EDGE DETECTORS

Ref: Dwg. HC08-1338

### DIMENSIONS

inches (mm)



NOTE: DETECTORS ARE PRE-WIRED INTO JUNCTION BOX BY FIVES NORTH AMERICAN

| Detector Positioner Model No. | A                                      | B                                     | C                                      | Strip Web Min. | Strip Web Max. |
|-------------------------------|----------------------------------------|---------------------------------------|----------------------------------------|----------------|----------------|
| H5539-2XX-27                  | 51 <sup>3</sup> / <sub>4</sub> (1314)  | 21 <sup>1</sup> / <sub>2</sub> (546)  | 28 <sup>1</sup> / <sub>4</sub> (718)   | 12 (305)       | 27 (686)       |
| H5539-2XX-39                  | 63 <sup>3</sup> / <sub>4</sub> (1619)  | 27 <sup>1</sup> / <sub>2</sub> (699)  | 40 <sup>1</sup> / <sub>4</sub> (1022)  | 12 (305)       | 39 (991)       |
| H5539-2XX-51                  | 75 <sup>3</sup> / <sub>4</sub> (1924)  | 33 <sup>1</sup> / <sub>2</sub> (851)  | 52 <sup>1</sup> / <sub>4</sub> (1327)  | 12 (305)       | 51 (1295)      |
| *H5539-2XX-63                 | 87 <sup>3</sup> / <sub>4</sub> (2229)  | 39 <sup>1</sup> / <sub>2</sub> (1003) | 64 <sup>1</sup> / <sub>4</sub> (1632)  | 12 (305)       | 63 (1600)      |
| *H5539-2XX-75                 | 99 <sup>3</sup> / <sub>4</sub> (2534)  | 45 <sup>1</sup> / <sub>2</sub> (1156) | 76 <sup>1</sup> / <sub>4</sub> (1937)  | 12 (305)       | 75 (1905)      |
| *H5539-2XX-87                 | 111 <sup>3</sup> / <sub>4</sub> (2838) | 51 <sup>1</sup> / <sub>2</sub> (1308) | 88 <sup>1</sup> / <sub>4</sub> (2242)  | 12 (305)       | 87 (2210)      |
| *H5539-2XX-99                 | 123 <sup>3</sup> / <sub>4</sub> (3143) | 57 <sup>1</sup> / <sub>2</sub> (1461) | 100 <sup>1</sup> / <sub>4</sub> (2546) | 12 (305)       | 99 (2515)      |

| Detector Model No. | E                                  | F                                   |
|--------------------|------------------------------------|-------------------------------------|
| H3111              | 1 <sup>3</sup> / <sub>4</sub> (44) | 4 <sup>3</sup> / <sub>4</sub> (121) |
| H3144              | 2 <sup>3</sup> / <sub>4</sub> (70) | 6 <sup>3</sup> / <sub>4</sub> (171) |

DIMENSIONS SHOWN ARE SUBJECT TO CHANGE. PLEASE OBTAIN CERTIFIED PRINTS FROM FIVES NORTH AMERICAN COMBUSTION, INC.  
IF SPACE LIMITATIONS OR OTHER CONSIDERATIONS MAKE EXACT DIMENSION(S) CRITICAL.

Fives North American Combustion, Inc., 4455 East 71st Street, Cleveland, OH 44105 USA, Phone 216.271.6000  
Fax 216.641.7852 email: fna.guiding@fivesgroup.com • www.fivesgroup.com/fivesna