

H6340 Motor Drive



- Drives up to 2000 lb. thrust actuators
- No internal operator adjustments
- Plug-in connections to controller and actuator
- Overtemperature protection
- Integral brake operation
- Protected against motor short circuits

The H6340 is a high frequency pulse width modulated (PWM) motor drive. It interfaces directly with a control amplifier to provide drive signals to an electro-mechanical actuator.

The H6340 can drive actuators with up to 2000 lb thrusts, such as Fives North American's H5530J series. It is intended for driving large loads, such as unwind and rewind stands and heavily loaded intermediate guides. Brake control is provided for actuators that include the brake option.

The H6340 supersedes and can be used to replace the H6190 in existing applications. A three position input selector switch provides compatibility with all North American controller outputs (H6600, H6195, H6142, and H6090). Short adapter cables are available for connecting the H6340 to existing H6190 cables.

Self-diagnostics monitor and, through the fault relay, annunciate actuator stall, motor open, motor short, faulty supply, and heat sink overtemperature.

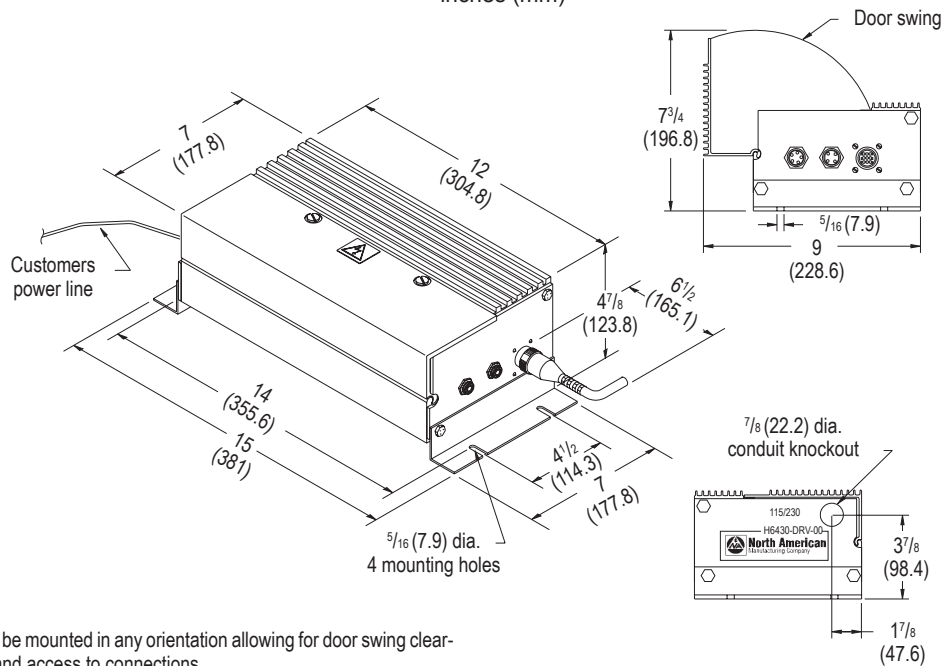
A memory chip inside the actuator cable contains all motor parameters. Upon application of power, the H6340 queries the memory and adjusts its output to provide the torque and speed required by the specific actuator. This feature allows a plant to stock one spare for the entire range of H6340 applications. There are no operator adjustments.

FEATURES

- The H6340 automatically identifies the type/size of actuator connected.
- Fault relay annunciates actuator stall, motor open, motor short, supply fault, and heat sink overtemperature.
- On-board LEDs help identify fault source.
- EIA-485 (serial) connection supplies diagnostic data.
- Both AC (102-264 V ac) and low voltage (5 to 30 V dc) inputs available to inhibit operation.

DIMENSIONS

inches (mm)



SPECIFICATIONS

Model Number: H6340-DRV-00

Power Requirements: 102-132 or 204-264 V ac
Switch selectable
50-60 Hz, 400 VA max

Maximum Continuous Power Output:
300 watts pulse width modulated

Velocity Command Input: ± 10 V dc
Input Impedance: ± 10 V dc setting: 65 k Ω
H6600 setting: 82 Ω
H6195 setting: 250 Ω

AC Logic Input (Line Run Relay, Inhibit Signal):
Input: 102-264 V ac
Input Impedance: 28 k Ω
Leakage Rejection: 70 V ac, 2.5 mA

Low Voltage Logic (Inhibit Signal): 5 to 30 V dc

Allowable Ambient Temperature: 0-50 C (32-122 F)

Humidity: 10% to 95% RH, non-condensing

Fault/Alarm Contacts:
(1) Normally open and (1) Normally closed
Rated: 1 A at 115 V ac
1 A at 230 V ac

Housing Material: Anodized aluminum

Size: 15" (381) L \times 7" (177.8) W \times 4 7/8" (123.8) H

Weight: 16.1 lb (7.3 kg)

Serial Ports: (1) Allows plug-in of H6415-DSP for diagnostic purposes.

Fives North American Combustion, Inc. Guiding Systems

4455 EAST 71st STREET, CLEVELAND, OH 44105 USA
Tel: 216.271.6000 Fax: 216.641.7852

email: fna.guiding@fivesgroup.com • www.fivesgroup.com/fivesna