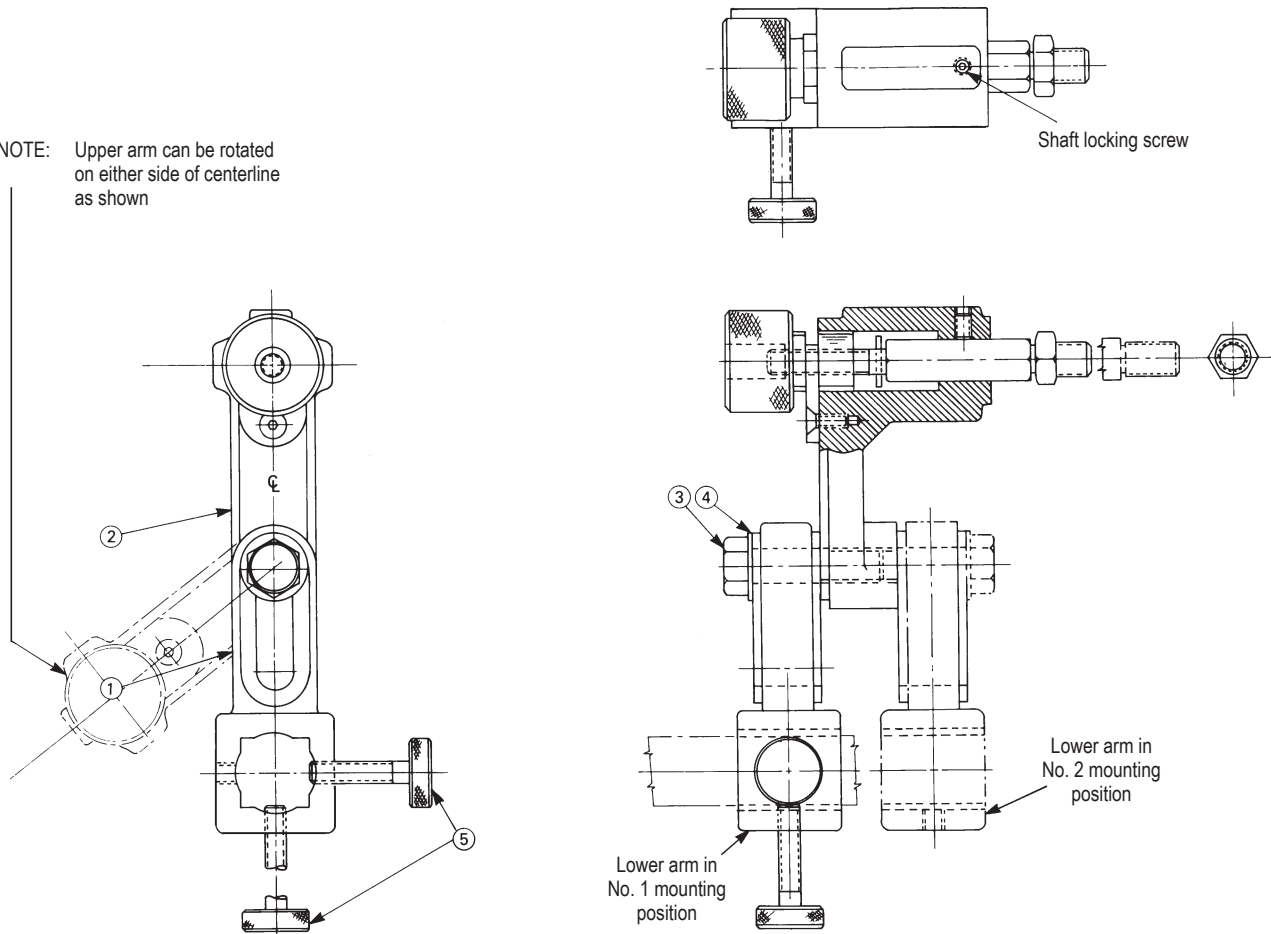


### H5551 MICROMETER ADJUSTER ASSEMBLY

Ref: Dwg. HC5551-076-02

NOTE: Upper arm can be rotated on either side of centerline as shown



| Item | Name of Part   | No. Req'd | Material        | Drawing or Part Number |
|------|--|-----------|-----------------|------------------------|
| 1    | Micro Adjuster Lower Arm                             | 1         | Cast Iron       | HB5551-01              |
| 2    | Upper Adjustable Arm Sub-Assembly                    | 1         | —               | HB5551-08              |
|      | a) Micrometer Slide Shaft Sub-assembly               | 1         | Steel           | HA5551-07              |
|      | b) Adjustment Knob 1                                 | CRS       | HA5551-05       |                        |
|      | c) Knob Retainer                                     | 1         | CRS             | HA5551-06              |
|      | d) #10-24 NC x 1/2" Lg. Flat Head Socket Cap Screw   | 1         | Steel           | R773-1520              |
|      | e) Jam Nut 1/2"-20 NF 1                              | Steel     | R510-2340-J     |                        |
|      | f) 1/4"-20 NC x 3/8" Lg., Hollow Set Screw Cup Point | 1         | Steel           | R776-2050              |
| 3    | 1/2"-13 NC x 2" Length, Hex Cap Screw                | 1         | Steel           | R066-3460-H            |
| 4    | 1/2" Flat Wrought Washer 1                           | Steel     | R970-7370-C     |                        |
| 5    | Knurled Head Screw Part #CL23615                     | 2         | Stainless Steel | H0630-50-001           |

Dimensions on sheet DS10054/DS-2.00