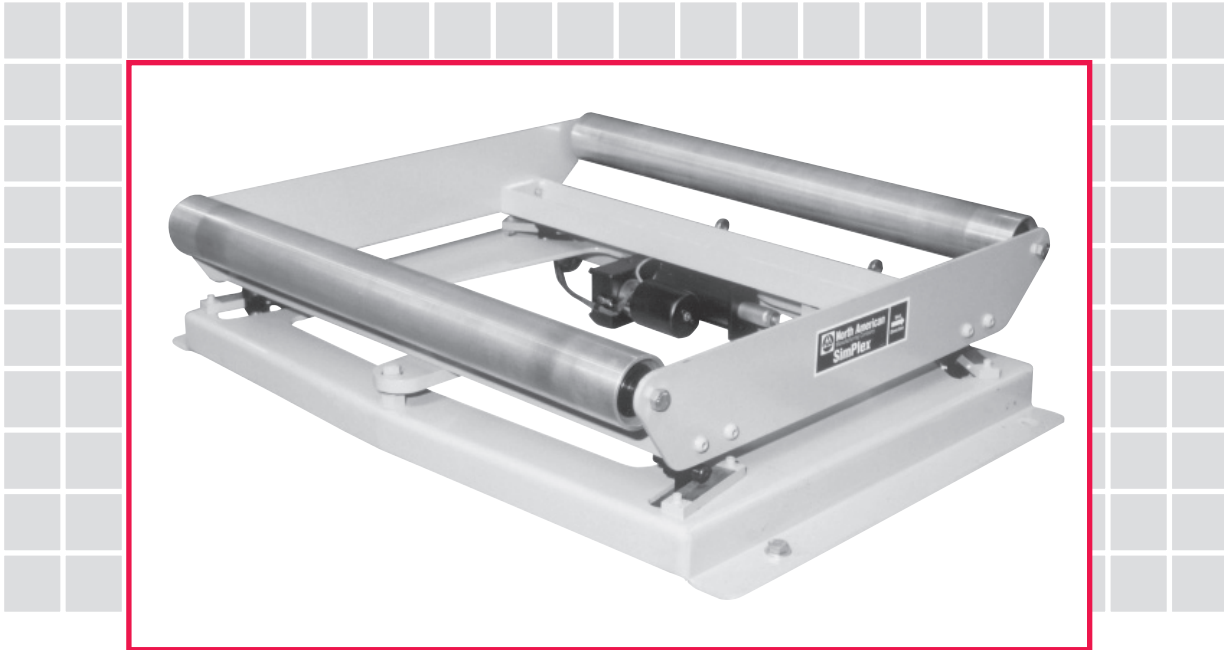


SimPlex™

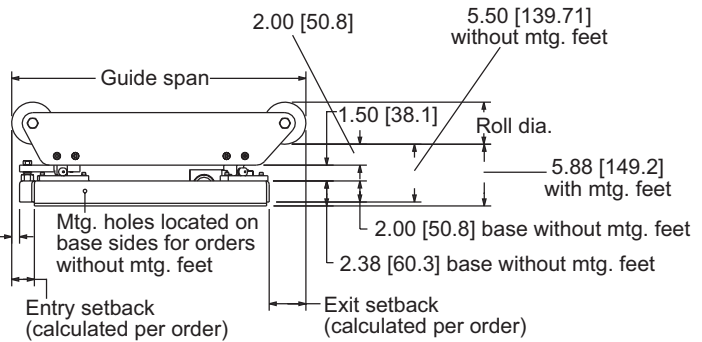
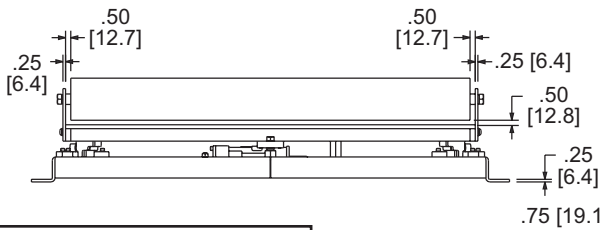
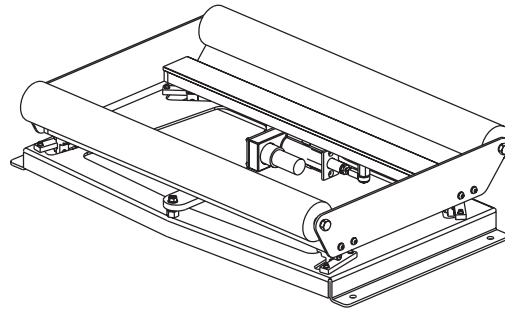
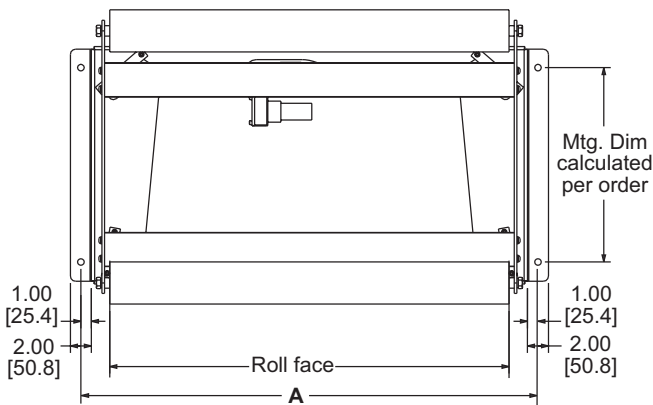
HDD8 Displacement Guide



- **Fast Track™ engineered for fast delivery**
- **Maintenance free operation**
- **Up to 800 lb (1768 kg) payload capacity**
- **Optional mounting for between machine frames**
- **Electro-mechanical ballscrew actuator**
- **Sizes available up to 48" (1219 mm) guide span and 60" (1524 mm) roll face**
- **Optional integral mounted detector positioner**

The new HDD8 family of electro-mechanically actuated displacement guides is available in sizes ranging from 16" through 48" guide span and 30" through 60" roll face, with a correction capability of up to $\pm 1\frac{1}{2}$ ". Utilizing the SimPlex family of servo-amplifiers and detectors makes for simple plug in installation and operation. An optional motorized detector positioner can be mounted directly to the guide structure. Systems can be configured for single edge detection or centerguiding with two detectors. Standard rolls are 32rms turned aluminum available in 3", 4" and 6" diameters. The roll carrier frame is supported on cam rollers with built in adjustment for zero play between the cam rollers and the steel track surface. Every guide is designed via Fives North American's Fast Track CAD program, thus assuring the fastest delivery. Fives North American can custom engineer guides for applications that deviate from the Fast Track specifications; consult with a Fives North American Application Specialist.

DIMENSIONS inches [mm]



HDGD Guide Variables and Limits	
Variable	Limits
Guide span	16" thru 48"
Roll face	30" thru 60"
Roll diameter	3" thru 6"
Correction	up to $\pm 1\frac{1}{2}$ "
Payload	up to 800 lb
Mounting feet	Yes/No

A = "Total Correction"
+ "Roll Face" +
2.50 [63.5]

Dimensions shown are constant for all guides. Secondary dimensions are [metric] shown in brackets.

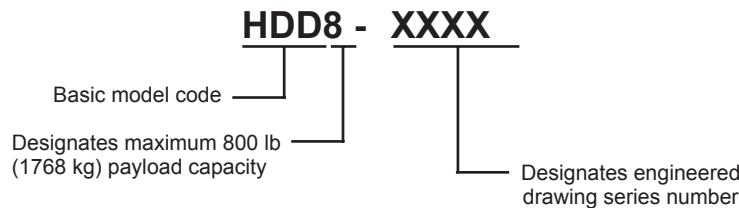
DIMENSIONS SHOWN ARE SUBJECT TO CHANGE. PLEASE OBTAIN CERTIFIED PRINTS FROM FIVES NORTH AMERICAN COMBUSTION, INC. IF SPACE LIMITATIONS OR OTHER CONSIDERATIONS MAKE EXACT DIMENSION(S) CRITICAL.

FAST TRACK™ SPECIFICATIONS

- Maximum Payload (tension at a wrap style plus weight of rolls): 800 lb (1768 kg)
- Rolls: 3" (75 mm) through 6" (150 mm) diameter deadshaft construction
- Roll Face: 30" through 60" (762 mm through 1524 mm)
- Guide Span: 16" through 48" (406 mm through 1219 mm)
- Correction Capability: ± 5 degrees or $\pm 1\frac{1}{2}$ " (38 mm) whichever is less
- Vertical Application Loading: Maximum combined weight applied on roll carrier = 250 lb (114 kg)
- Actuator: H5530F1 Actuator rated at 150 lb (667 N) thrust at speed of 1.0" per second (25 mm/s)

MODEL CODE

The HDD8 Guide comes in one distinct model code for simplification of pricing.



Note: The actual guide span and roll face etc. are filled in as part of the part description during order entry in inches or millimeters.

Fives North American Combustion, Inc. Guiding Systems

4455 EAST 71st STREET, CLEVELAND, OH 44105 USA
Tel: 216.271.6000 Fax: 216.641.7852
email: fna.guiding@fivesgroup.com - www.fivesgroup.com/fivesna