

Title: SimPlex™ Unwind/Rewind Application Sheet

Document: H-App-113

Rev. 1.0

Date: 11/09

By: LJP

Approval: SFB

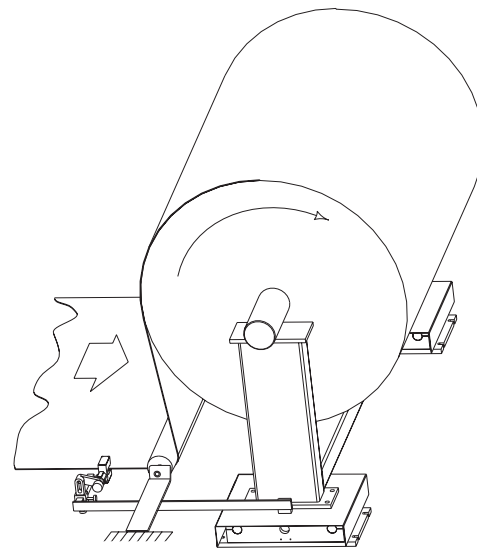
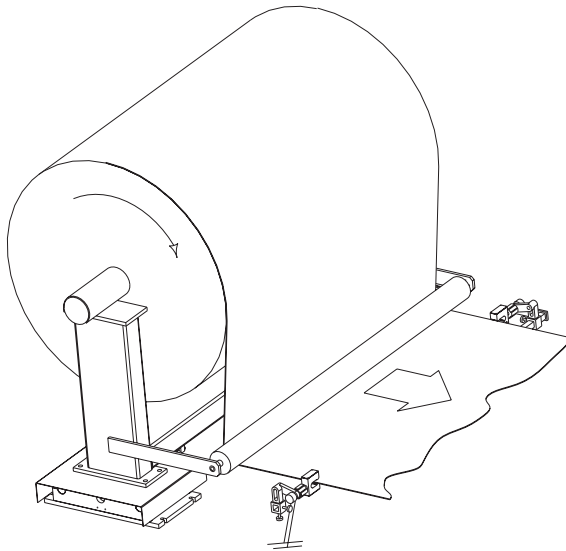


fives north american

Fives North American Combustion, Inc.
Guiding Systems

Unwind with stationary detector after shifting idler

Rewind with shifting detector before stationary idler



Material Type:				
Max Width:		Min. Width:		
Max Thickness:		Min Thickness:		
Type of Application:	<i>UNWIND</i>			<i>REWIND</i>
Maximum Roll Weight:		Stand or Reel Weight:		
Bearing Type:	<i>Anti Friction Bearings</i>	<i>Lubricated Ways</i>	<i>Thompson Shafts</i>	<i>OTHER(DESCRIBE)</i>
Max Line Speed:		Max Tension:		
Stroke:				
Positioner Type:	<i>H5550</i>	<i>H5551</i>	<i>H5560</i>	
Control Type:	<i>Edge Guide</i>	<i>Center Guide</i>	Correction Req'd: ±	
Notes/Comments				

Note: Indicate unit of measurement

**Fives North American Combustion, Inc.
Guiding Systems**

4455 EAST 71st STREET, CLEVELAND, OH 44105 USA

Tel: 216.271.6000 Fax: 216.641.7852

email: fna.guiding@fivesgroup.com - www.fivesgroup.com/fivesna